

Electronic Over Current Relays



General Information

Company History

- 1981 SAMWHA Engineering Co., Ltd incorporated
- 1988 SAMWHA R&D Center established
- 1990 The 2nd factory completed in Iksan, Korea
- 1990 Recognized as the Advanced Technology Small& Medium Sized Company by the Korean Ministry of Trade and Industry
- 1993 SAMWHA Electric(Tianjin)Co., Ltd. established in Tianjin, China
- 1994 SAMWHA Electronics (Beijing)Co., Ltd. established in Beijing, China
- 1995 SAMWHA R&D Center building completed in Eumsung, Korea
- 1996 SAMWHA Engineering (Vietnam) Co., Ltd. established in HCMC, Vietnam
- 1997 Reach to 5millions of EOCR production
- 1997 ASIC(Application Specific Intergrated Circuit) Chip Developed
- 1997 Registered to KOSDAQ(Registered No. 507)
- 1999 Approved to New Technology by Korean Government for ASIC Chip Applicable EOCR-3D&FD Series Product(Registered No. 5)
- 2001 Recognized Export Leading Company by Korean Government
- 2002 SAMWHA EOCR Ltd. Established

Domestic Awards

- 1985 · The Presidential Prize of '85 National Invention Awards
- 1986 · The Ministerial Prize of National Invention Promotion Awards
- The KYUNGHYANG Energy Prize
- The Ministerial Prize of Korea Electronics Exhibition
- The Golden Prize of '86 National Invention Awards
- 1989 · The Order of Industrial Service Merit
- The Grand Prix of ' 89 National Invention Awards
- 1990 · The Bronze Prize of ' 91 National Invention Awards
- 1991 · The Venture Company of 1991
- 1994 · The Electric Industry Development Prize of KOMA
- The Order of Industry Service Merit
- 1995 · The Tower of Export
- 1998 · UN WIPO Prize
- 1999 · The Order of Industrial Service Merit

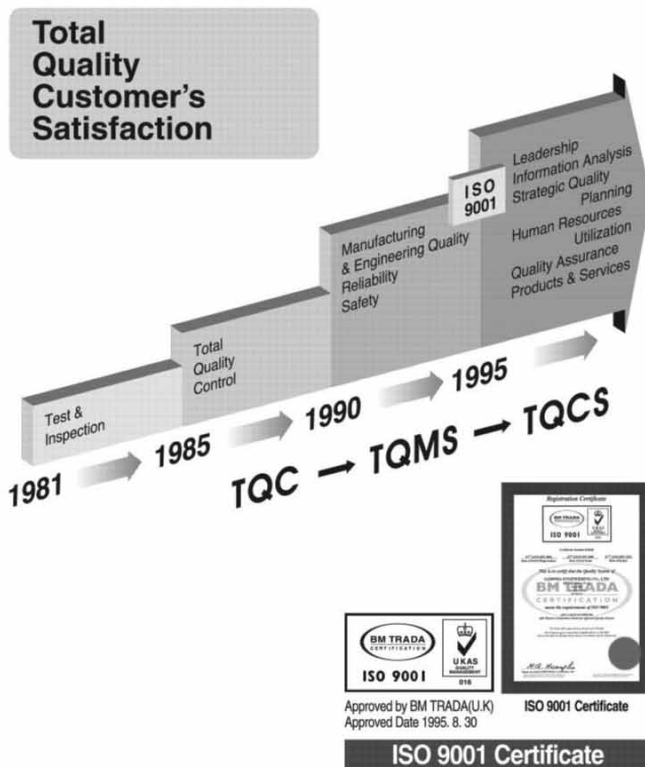
International Awards

- 1989 · The Silver Medal of INPEX Pittsburgh
- 1990 · The Silver Medal of Geneva International Invention Award
- 1992 · The Golden Medal of De L' Invention De Paris
- 1993 · The Bronze Medal of Beijing International Award
- 1998 · The Golden Medal of IENA98. Germany

Worldwide Service Network



TQCS Quality System



Reliability & Safety

Approved			EOCR SS	EOCR SP	EOCR DS	EOCR 3D	EOCR FD	EOCR PMZ	EOCR PFZ	EVR
UL		Underwriters Laboratories Inc	●	○	●	○	○	○	○	
CE		Community European	●	●	●	●	●	●	●	●
ABS		American Bureau of Shipping	●				●			
SEV		Association Suisse Des Electriciens	●							
KR		Korean Register of Shipping	●			●	●			
CCS		China Classification Society	●			●				●
TÜV		TÜV Germany				●				
CSA		Canadian Standards Association		○	○	○	○	○	○	
RINA		Registro Italiano Navale					●			

Intellectual Property

Item	Domestic			Overseas			Total
	Register	Applied for	No	Register	Applied for	No	
Patent	29	6	35	5	0	5	40
Utility Model	20	7	27	0	0	0	27
Design	25	0	25	0	0	0	25
Trade Mark	34	11	45	14	3	17	62
Total	108	24	132	19	3	22	154

Over Current Relay

Over Current Relay

Option-1. Looping (Protect smaller current by looping option)

Some motor size may require one-third or one-fourth of particular EOCR current range. These installations can be accommodated by looping the motor wire 2 or 3 times through the integral current transformers of the EOCR. This reduces the number and type of relays inventoried for spare purposes. Each additional loop will increase the current measured as indicated by the following chart.

	Current Setting Range(A)	Time of Passing (#)	No. of Loops (#)
05 Type	0.5 ~ 6	1	0...Fig 1
	0.25 ~ 3	2	1...Fig 2
Looping Option	0.17 ~ 2	3	2
	0.12 ~ 1.5	4	3
	0.10 ~ 1.2	5	4

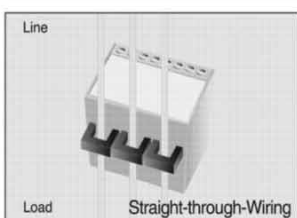


Fig 1

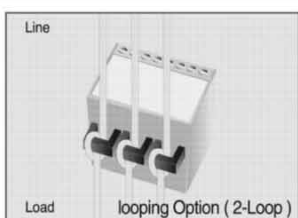


Fig 2

Option-2. External Current Transformer Option (Ext. CT option protect bigger current)

Ordering option - 05 type of each model fitted to an external current transformer can achieve higher ampere ranges.

	Current Setting Range(A)	Current Ratio of Ext. CT
05 Type	0.5 ~ 6	NIL
60 Type	5.0 ~ 60	NIL
	10 ~ 120	100 : 5
	15 ~ 180	150 : 5
Ext. CT Option	20 ~ 240	200 : 5
	30 ~ 360	300 : 5



External 3CT Option

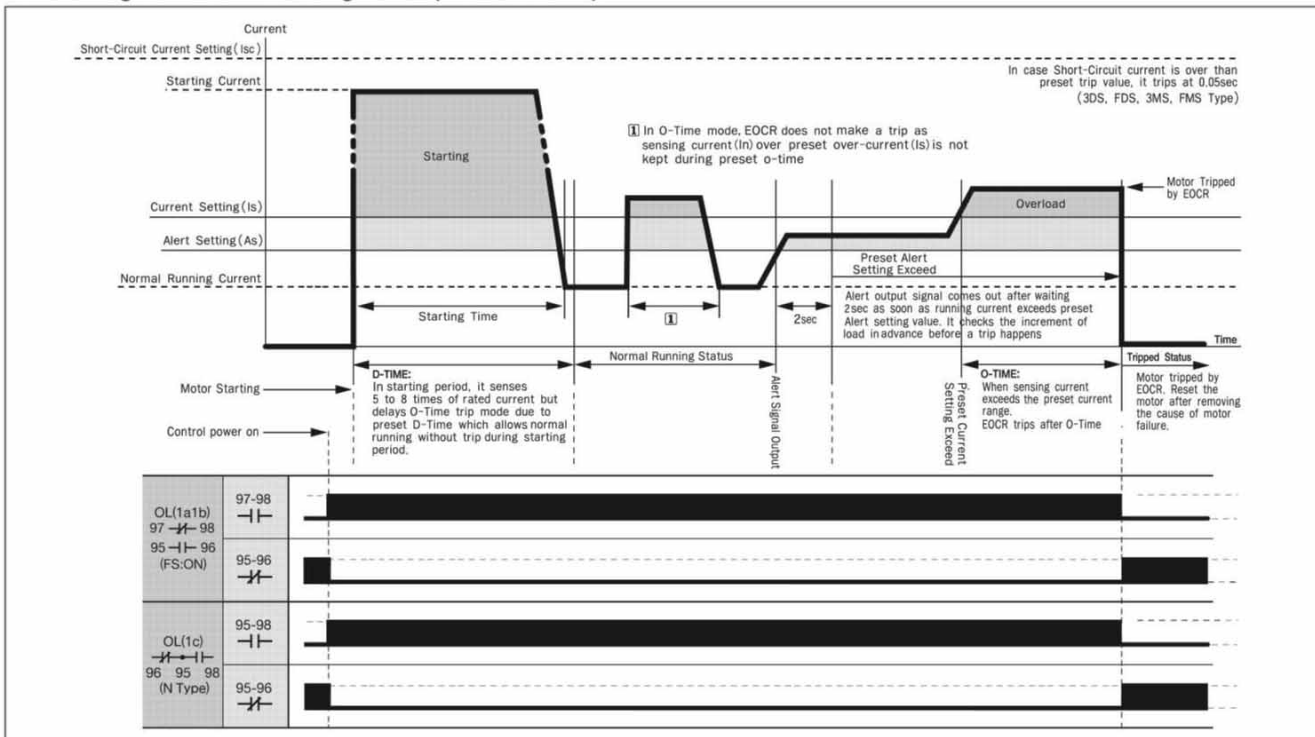


External SR-CT Option

EOCR Type Table for 3phase Motor

Current Setting Range (Adjustable) (A)	Capacity of 3 Phase Motor (kW/HP)						TYPE	Cable Size		Remark
	AC220(V)		Current (A)	AC380/440(V)		Current (A)		Thickness (mm)	Allowable Current(A)	
	kW	HP		kW	HP					
0.5 ~ 6	0.75	1	4.8	1.5	2	4.2 / 3.6	05	3.5	28	Built-in CT(Standard type) Assemble with External CT
5.0 ~ 60	5.5	7.5	26	22	30	49 / 46	60	5.5~14	67	
10 ~ 120	22	30	93	37	50	84 / 73	100:05	38	130	
20 ~ 240	37	50	160	75	100	163 / 141	200:05	100	240	
30 ~ 360	55	75	230	132	175	263 / 227	300:05	250	430	
40 ~ 480	95	125	360	190	250	376 / 325	400:05	325	495	
50 ~ 600	110	150	440	220	300	423 / 390	500:05	400	565	
60 ~ 720	150	200	570	300	400	602 / 520	600:05	500	625	

EOCR Setting Pattem / Motor Running Current (3DD & FD Series)



Over Current Relay

Over Current Relay

Overview

■ D-TIME(Delay Time):

When starting the motor, it's current is increasing 5 to 8 times of rated current and its starting time is different according to the load of motors. D-Time knob(Mode) has a function to delay the trip during starting period even if starting current exceeds over preset over-current value.

■ O-TIME (Operating Delay Time):

When EOCR senses over-current which exceeds over preset over-current range. O-Time knob(Mode) delays trip until EOCR trips after detecting over-current during running period. In case of Definite type, Over-current protection is provided by the relay tripping when motor operating current(In) exceeds EOCR current setting(Is) for a period greater than preset trip time(O-Time), while Inverse type shows that Over-current protection is provided by the relay tripping according to the Time-Current Characteristic Curve.

■ RESET

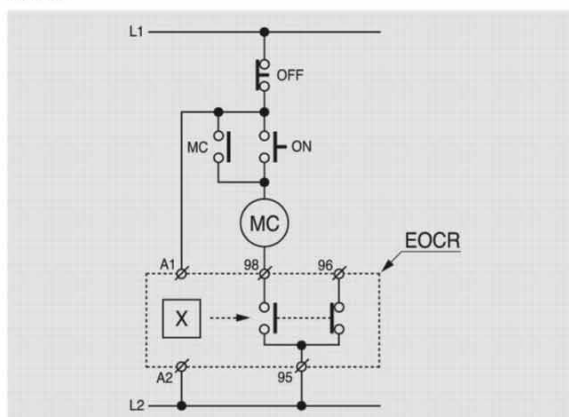
Depressing the RESET button or interrupting power supply resets the relay immediately. Depress the RESET button on the facia for manual reset. Electrical Reset can be achieved by interrupting power supply in remote area. Auto Reset can be achieved automatically according to R-Time setting. Auto reset function is selectable by using mode switch. EOCR with fixed auto reset time or adjustable auto reset time is applicable.

■ TEST

It has function to check and confirm the status of the motor by depressing the TEST button on the facia. To keep depressing the TEST button makes relay trip after the elapse of D-Time and/or O-Time. Once TEST is done, then reset the relay by depressing RESET button. The test function of Digital EOCR with 7 Segment Display cannot be performed during motor running, but possible when motor is stopped.

N Type (Fail-safe Mode / No Volt Release)

NVR(No Volt Release)/On(N Type)
Fail-safe

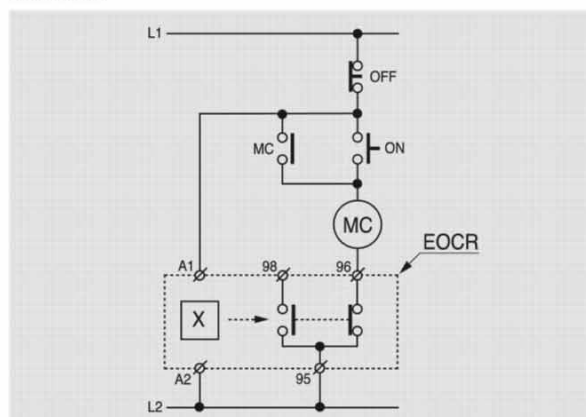


The output of relay is normally energized with control power applied. It is called NVR (No Volt Release) function and recommended to use output mode for safe protection. It is selectable by DIP switch or FS Mode

Caution) NVR function is designed to offer more accurate protection for motor. The motor can not start in case there is no power supply to EOCR or the span of life of motor is gone through. It is able to find the problem in its process in advance.

R type (Non-Fail-Safe Mode)

NVR(No Volt Release)/Off (R Type)
Non-Fail-safe



In all case, the failure of the control voltage may not interrupt the process. It is selectable by DIP switch or FS Mode

Caution) In case of Non-Fail-Safe mode, periodical checking is required in case there is abnormal power supply to EOCR or the span of life of motor is gone through.

EOCR-SSD

Digital Over-Current Relay



Protection

Protective Item	Trip Time	Description
Over-current	O-Time	$I_s < I_n$
Phase Loss	3sec	$[(MAX - MIN) / MAX] \times 100 > 90$
Locked Rotor	0.5sec after elapse dt	$\geq 3 \text{times OC setting value}$

Specification

Over-current Setting	Current	05	0.5 ~ 6A
		30	3 ~ 30A
		60	10 ~ 60A
	Starting delay time	D-Time	1 ~ 30sec
		Trip time	O-Time
Reset			Manual / Electrical
Operating t-c characteristic		Over-current	Definite
Tolerance		Current	$I < 1A : \pm 0.05A, I \geq 1A : \pm 5\%$
		Time	$t \leq 3S : \pm 0.2s, t > 3s : \pm 5\%$
Environment	Temperature	Operation	-20°C ~ 60°C
		Store	-30°C ~ 80°C
		Humidity	30~85% RH non-condensing
Control Power			<ul style="list-style-type: none"> • 110 : 110VAC ± 15%, 50/60Hz • 220 : 220VAC ± 15%, 50/60Hz • 440 : 440VAC ± 15%, 50/60Hz • 24 : 240VAC/DC
Contact Rating		2-SPST	3A / 250VAC, Resistive
Insulation	Between casing and circuit		Over 10MΩ, DC500V
Dielectric Strength	Between casing and circuit		2000VAC 60Hz, 1min
	Between open contacts		1000VAC 60Hz, 1min
	between circuit		2000VAC 60Hz, 1min
Installation			35mm Din Rail or Panel Mounting

- MCU(Micro Controller Unit) based / 2-CT Type
- Real Time Processing / Higher Precision
- Current Setting Renge - 05Type : 0.5 ~ 6A / 30Type : 3 ~ 30A / 60Type : 10 ~ 60A
- Digital display : trip cause / easy troubleshooting
- Reset : Manual (instantaneous) / Electrical (remote)
- Load selection by DIP switch : Single phase(1P) / Three phase(3P)
- Fail safe(N) / Non-fail safe(R)

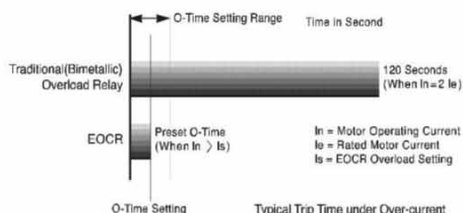
Electronic Overload Relays

Features

- Compact Design
- Multiple Protection Functions
- Wide Current Adjustment Range (10:1)
- Ammeter Function
- Trip Indication LED
- High Accuracy
- Manual Instantaneous Reset
- Electrical Remote Reset
- Test Function
- Ambient Insensitive
- Low Energy Consumption
- Fail-safe Operation (No Volt Release)

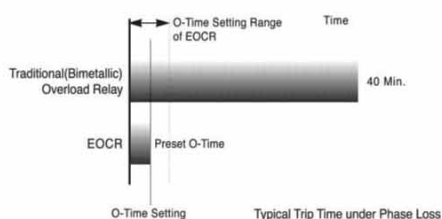
Over-current Protection

Over-current protection is provided by tripping the relay when motor operating current (I_n) exceeds over-current setting (I_s) of EOCR for a period greater than the preset operating time (O-Time).



Phase Loss Protection

During a phase loss, the motor winding current may increase by 150% or more. As the motor winding current increases, the winding temperature may also increase and possibly damage the winding insulation. The quick trip time on EOCR helps to prevent over-current damage to the windings.



Ammeter Function & Trip Indication

Indication LED on the dial plate provides trip indication and ammeter functions. The LED starts to flash at the point where motor current is equal to current setting level (I_s), so user can verify motor current by reading the LOAD adjustment scale on the dial plate. This also provides an accurate current setting. The LED is illuminated when motor current exceeds current setting (Overload Status). After tripping has occurred, the LED stays on until the relay is reset. The trip indication is also an important feature of a multiple relay & contactor (starter) installation.

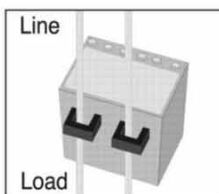
Wide Adjustment Range

EOCR has a wide current adjustment range of over 10:1. It enables three type models to cover a wide range from 0.1A up to 600A thus reducing the number and type of relays that must be inventoried for spare purposes.

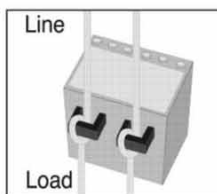
Looping Option

Some motor size may require only one-third or one-fourth of particular EOCR current range. These installations can be accommodated by looping the motor wire 2 or 3 times through the integral current transformers of the EOCR. This reduces the number and type of relays inventoried for spare purposes. Each additional loop will increase the current measured as indicated by the following chart.

	No. of Loops	Time of Passing	Current Set. Range(A)
05 Type	0	1	0.50 - 6.0A
	1	2	0.25 - 3.0A
Looping Option	2	3	0.17 - 2.0A
	3	4	0.12 - 1.5A
	4	5	0.10 - 1.2A



Straight-through-Wiring

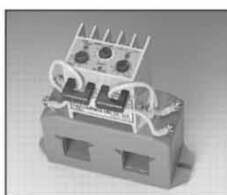


Looping Option(1-Loop)

External Current Transformer Option

Ordering option - 05 type of each model fitted to an external current transformer can achieve higher ampere ranges. (Ext. CT Option)

Type	Current Ratio of Ext. CT	Current Setting Range
05	-	0.5 - 6A
Ext. CT Option	100	100:5
	200	200:5
	300	300:5
	400	400:5
	500	500:5
	600	600:5



External CT Option

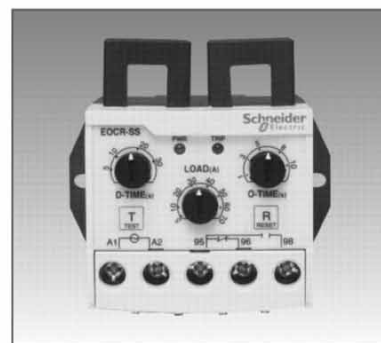
Manual Instantaneous Reset

Pushing RESET button on the dial plate or interrupting power supply provides a manual instantaneous reset. Electrical remote reset is also provided by the panel-mounted RESET button.

Low Energy Consumption

EOCR-SS uses only 250mA of power, much less than thermal bimetallic overload relays. The result is significant cost savings over the life of relays (over 20 times cost saving).

EOCR-SS



- 2 Integral Current Transformers
- Electronic Shear-pin Function
- Independently Adjustable Starting Trip Delay (D-Time) & Operating Time (O-TIME)

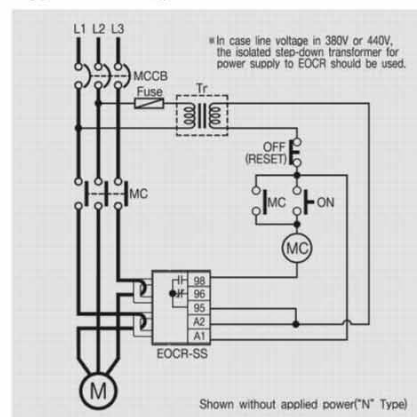
Protection

Protective Item	Operating (Trip) Time
Over-current	O-TIME
Phase Loss	O-TIME
Locked Rotor	O-TIME + D-TIME

Specification

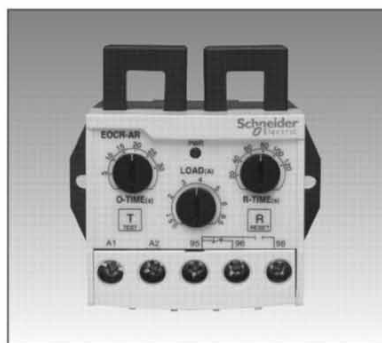
Current Setting	Type	Range
	05	0.5 - 6A
	30	3 - 30A
	60	5 - 60A
	100~ (over 60A)	Ext. CT Option
Time Setting	Start	D-TIME
	Trip	O-TIME
Control Voltage (50/60Hz)	24	24VAC/DC
	220	90 - 260VAC
	440	320 - 480VAC
Contact Rating	Mode	1-SPDT(1C)
	Rating	3A/250VAC Resistive
	Status	Normally Energized
Time-Current Characteristic	Definite	
Operating (Trip) Indication	2-LED	
Mount	35mm Din-rail / Panel	

Typical Wiring



Solid State Over-Current Relay

EOCR-AR



- 2 Integral Current Transformers
- Automatic Reset and Adjustable Reset Timer

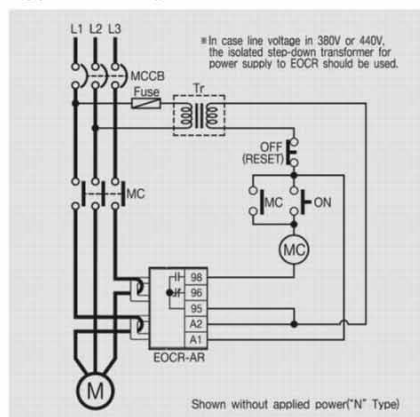
Protection

Protective Item	Operating (Trip) Time
Over-current	O-TIME
Phase Loss	O-TIME
Locked Rotor	O-TIME

Specification

Current Setting	Type	Range
	05	0.5 - 6A
	30	3 - 30A
	60	5 - 60A
	100~ (over 60A)	Ext. CT Option
Time Setting	Start Trip	D-TIME O-TIME
		0.2 - 30 sec
		0.2 - 120 sec
Control Voltage (50/60Hz)	24	24VAC/DC
	220	90 - 260VAC
	440	320 - 480VAC
Contact Rating	Mode	1-SPDT(1C)
	Rating	3A/250VAC Resistive
	Status	Normally Energized
Time-Current Characteristic		Definite
Operating (Trip) Indication		LED
Mount		35mm Din-rail / Panel

Typical Wiring



EOCR-DS



- 3 Integral Current Transformers
- Electronic Shear-pin Function
- Independently Adjustable Starting Trip Delay (D-Time) & Trip Time (O-TIME)
- EOCR-DS + Power Terminal Kit → EOCR-DST

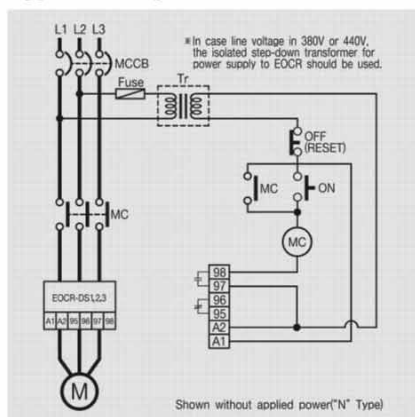
Protection

Protective Item	Operating (Trip) Time
Over-current	O-TIME
Phase Loss	O-TIME
Locked Rotor	O-TIME + D-TIME

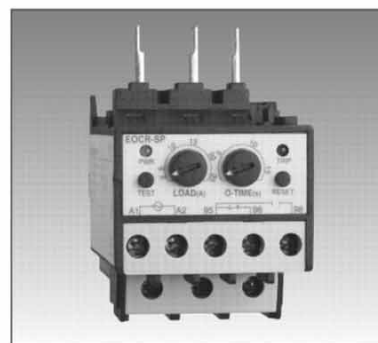
Specification

Current Setting	Type	Range
	05	0.5 - 6A
	30	3 - 30A
	60	5 - 60A
	100~ (over 60A)	Ext. CT Option
Time Setting	Start Trip	D-TIME O-TIME
		0.2 - 30 sec
		0.2 - 10 sec
Control Voltage (50/60Hz)	24	24VAC/DC
	220	90 - 260VAC
	440	320 - 480VAC
Contact Rating	Mode	2-SPST
	Rating	3A/250VAC Resistive
	Status	Normally Energized
Time-Current Characteristic		Definite
Operating (Trip) Indication		2-LED
Mount		35mm Din-rail / Panel

Typical Wiring



EOCR-SP



- 2 Integral Current Transformers
- Fit Directly into IEC or NEMA Contactor

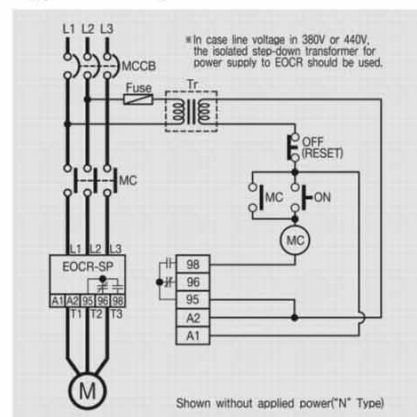
Protection

Protective Item	Operating (Trip) Time
Over-current	O-TIME
Phase Loss	O-TIME
Locked Rotor	O-TIME + D-TIME

Specification

Current Setting	Type	Range
	01	0.3 - 2A
	10	1 - 12A
	20	5 - 25A
Trip Time Setting	O-TIME	0.5 - 15 sec
Control Voltage (50/60Hz)	24	24VAC/DC
	220	90 - 260VAC
	440	320 - 480VAC
Contact Rating	Mode	1-SPDT(1C)
	Rating	3A/250VAC Resistive
	Status	Normally Energized
Time-Current Characteristic		Definite
Operating (Trip) Indication		2-LED
Mount		Contactor Mounted

Typical Wiring



EOCR-SS / SP / DS Series

MCU Based Over-Current Relay

Features

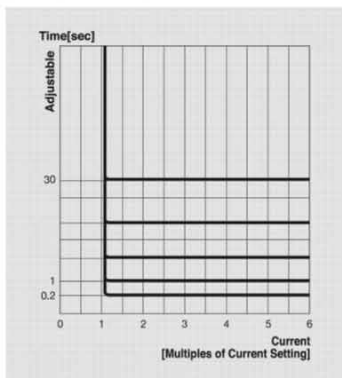
- Compact Design
- MCU Based
- Multiple Protection Functions
- Wide Current Adjustment Range (10:1)
- Ammeter Function & Trip Indication
- Easy Troubleshooting & Run Monitor
- Manual Instantaneous / Electrical Remote Reset
- Test Function
- Ambient Insensitive
- Fail-safe Operation

Run Monitor & Troubleshooting with 2-LED's

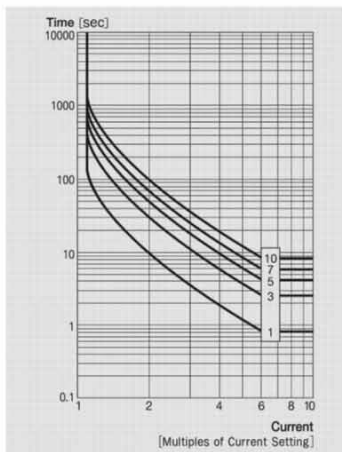
2 LED Lamps on the dial plate provide easy troubleshooting and run-monitor functions

Motor Status	LED Output / Pulse Signal					
	Green LED		Red LED			
1 Stop(Power Input)	On	0 1	Off	0 1		
2 Starting	Flash	0 1	Flash	0 1		
3 Normal Running	On	0 1	Off	0 1		
4 Overloading	On	0 1	Flash	0 1		
5 Trip	Over-current	Off	0 1	Off	0 1	
	Locked Rotor	Off	0 1	Flash	0 1	
	Phase Loss	R	Off	0 1	Flash	0 1
		S	Off	0 1	Flash	0 1
T		Off	0 1	Flash	0 1	
DS3(T)	Phase Reversal	2LEDs flash alternately				

Time-Current Characteristic Curve



Definite Time Characteristic of DS3(T)



Inverse Time Characteristic of EOCR-DS1(T)

EOCR-DS1 / DS3



- 3 Integral Current Transformers
- Independently Adjustable Starting Trip Delay & Trip Time
- EOCR-DS1/3 + Power Terminal Kit = EOCR-DS1T/3T

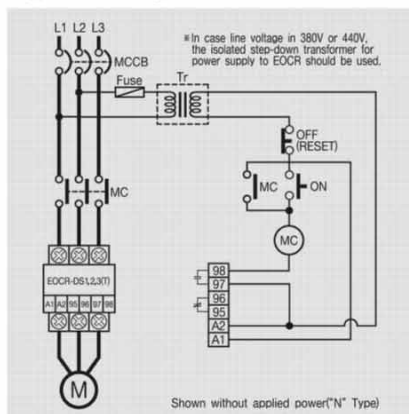
Protection

Protective Item	EOCR Operating (Trip) Time	
	DS1(T)	DS3(T)
Over-current	O-TIME(curve)	O-TIME
Phase Loss	4 sec	4 sec
Locked Rotor	D-TIME	D-TIME
Phase Reversal	-	0.1sec
Time Characteristic	Inverse	Definite

Specification

EOCR	DS1(T)	DS3(T)
Current Setting	05 30 60 100~ (over 60A)	0.5 - 6A 3 - 30A 5 - 60A
Time Setting	Start D-TIME Trip O-TIME	0 - 50 sec 1 - 10
Control Voltage (50/60Hz)	24 110 220	24VAC/DC 85 - 150VAC 180 - 260VAC
Contact Rating	Mode Rating Status	2-SPST 3A/250VAC Resistive Normally Energized
Time-Current Characteristic	Inverse	Definite
Trip & Trip Cause Indication	2-LED	
Mount	35mm Din-rail	

Typical Wiring



EOCR-3DE/FDE Series

Digital Over Current Relay

Features

- Compact Design
- 3DE/3EZ : Panel Mounting Type
- FDE/FEZ : Panel Flush Mounting Type
- MCU(Microprocessor Control Unit) Based
- 3 Integral Current Transformers
- Multiple Protection Functions
- Digital Ammeter
- Troubleshooting / Trip Cause Memory, Display
- Adjustable Operating Features by Mode switch
- Wide Current Adjustment Range
- Selectable Time-Current Characteristics (Inverse / Definite)
- Manual (Instantaneous) / Electrical (Remote) Reset
- Test Function
- Ambient Insensitive
- Selectable Fail-safe and Non-fail-safe Operation Modes

Comparison Table of Model

EOCR		3DE / FDE	3EZ / FEZ
Protection	Over - current	●	●
	Under - current	●	●
	Phase Loss	●	●
	Phase Unbalance	●	●
	Phase Reverse	●	●
	Locked Rotor	●	●
	Ground Fault	●	●
Run Monitor & Load Alert Function		●	-
Selectable Alerting Pulse		●	-

Protection Feature

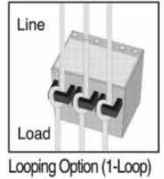
Function	mode	Description
Over-current	tc	dE (Definite T-C) This is provided by the relay tripping when motor operating current(In) exceeds current setting value in "oc" mode for a period greater than the preset trip time(O-Time in "ot" mode)(Curve-2)
	tc	In (Inverse T-C) This is provided by the relay tripping when motor operating current(In) exceeds current setting value in "oc" mode according to the Time-current Characteristic Curve(Curve-1)
Under-current	Uc	Definite T-C This is provided by the relay tripping when motor operating current(In) is lower than current setting value in "uc" mode for a period greater than the preset trip time(Time in "ut" mode)
Phase Loss	PL	On The relay will be operated within 3 sec. When the phase failure occurs
Phase Unbalance	Ub	5-50% This is provided by the relay tripping in phase unbalance greater than setting % difference in terms of maximum phase current : [(MAX-MIN)/MAX] × 100[%]
Phase Reversal	RP	On In the event of phase reversal, the relay trips in 0.1sec
	RP	Off(-) Phase reversal protection function is disabled : this allows the relay to be used for reversing application
Ground Fault	Ec	0.03-3A Ground fault protection is provided by the relay tripping according to zero sequence current sensed by ZCT
Locked Rotor	Lc	2-10 Times OC This is a protection for locked rotor in starting state. The variable setting range is 2-10 times oc setting value, but maximum setting value is limited in case "oc" setting value is greater than 10A. The maximum setting value is calculated by [100/oc setting value]
Stall	Sc	1.5-5 Times OC This is a protection for locked rotor while motor is working. The variable setting range is 1.5-5 times oc setting value, but the maximum setting value is limited in case "oc" setting value is greater than 20A. The maximum setting value is calculated by [100/oc setting value]

* T-C : Time-Current Characteristic

Looping Option

Smaller ampere ranges than particular EOCR current range can be covered by looping the motor wire 2 or 3 times as under described.

	No of Loops	Current Ratio of Ext. CT	Current Setting Range (A)
0.5 Type	0	1	0.5 - 6
	1	2	0.25 - 3
Looping Option	2	3	0.17 - 2
	3	4	0.12 - 1.5
	4	5	0.1 - 1.2



External CT Option

Higher ampere ranges can be achieved by setting in "CT" mode fitted to an external current transformer, and the actual motor current display is possible in any case

Type	Value in "CT" mode	Current Setting Range (A)
wide Range	OFF(-)	0.5 ~ 60A
10 : 5	10	1 ~ 12A
15 : 5	15	1.5 ~ 18A
⋮	⋮	⋮
800 : 5	800	80 ~ 960A



EOCR-3DE+External CT

Alert Function

When motor operating current (In) exceeds the alert setting (As), the alert relay outputs three kind of signal. The output can be used to warn customers/operators of possible overloading and avoid unnecessary motor shutdown.

The type of output signal is decided by the selection in the "ALO" mode
 "A"(Ampere relay): energized whenever CT senses a current
 "F"(Flickering): character "A" and current value flashes frequently
 "H"(Holding): ON-OFF
 "U"(Undercurrent mode): the "AL" output(07-| |08) is transferred into "Uc" output

Running state Setting "ALO"	Normal	More then preset(%) of Alert	Trip
Flicker "F"	██████████	██████████	██████████
Hole "H"	2 sec ↔ ██████████	██████████	██████████
Aux "A"	██████████	██████████	██████████

In = Motor Operating Current / Is = EOCR Over-current Setting / As = Alert Setting

Fail-safe & Non-fail-safe

The tripping relay can be operated in a fail-safe or non-fail-safe mode

Application of the Fail-safe (Electrically Held) Connection

Fail safe setting in "FS" mode : ON
 The tripping relay is normally energized with control power supply

Application of the Non-fail-safe Connection

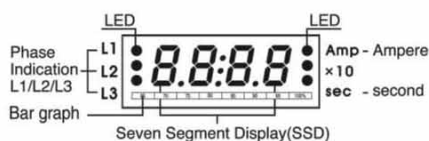
Fail safe setting in "FS" mode: OFF(-)
 In all cases, the failure of the control voltage may not interrupt the process.

	Control power on →	Relay Trip →
FS:ON (Fail safe)	95- 96 ██████████	██████████
FS:ON (Fail safe)	97- 98 ██████████	██████████
FS-- (OFF) (Non-Fail safe)	95- 96 ██████████	██████████
FS-- (OFF) (Non-Fail safe)	97- 98 ██████████	██████████

EOCR-3DE/FDE Series

Digital Over Current Relay

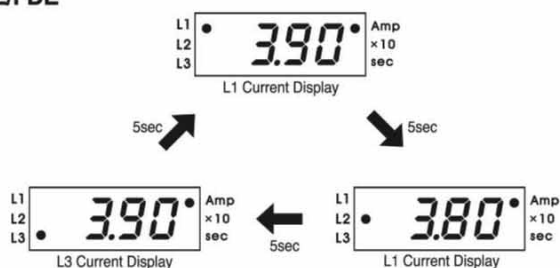
LED Display



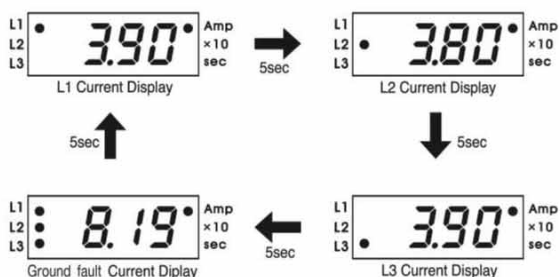
Digital Ammeter

3 phase motor currents (In) / Ground fault current are displayed in sequence on the LED display.

● 3DE/FDE



● 3EZ/FEZ



Rotation display of Phase current

Instead of automatic rotation, manual display rotation is possible as depressing once SET/Store button during an operation. If manual is selected, the information of phase current L1 is displayed firstly and next information is displayed continuously like a manner of →L1→L2→L3→(GR)→L1 ... whenever depress SET/Store button every once

Digital Trip Cause Indication / Easy Troubleshooting

- Enter into "trip" mode by depressing once Set/store button, then last trip cause is showed
- Each phase current is displayed in order whenever depress UP/DN button in every once under trip mode
- The 2nd trip cause is showed after displaying 3phase current of last trip
- The 3rd trip can be checked by same manner

Test

This is the self-test of this product. If the relay enters into this mode, it begins to count down preset value of O-time after waiting 3sec and becomes trip state as showing "END" message that means this relay is ready to work.

- "END" message of this test is also stored in "Fault" mode as last trip.
- Not permitted to test this function during the operation to prevent unnecessary trip

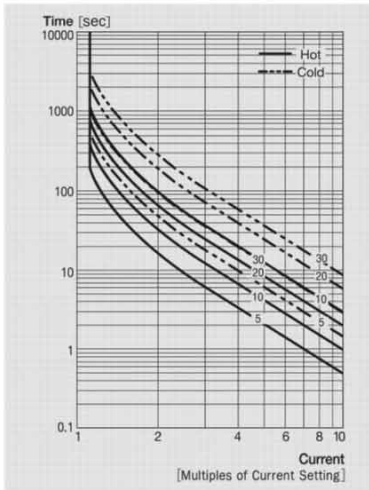
Reset

Depressing the RESET button or interrupting control power resets the relay immediately. Electrical remote reset is also available through the panel mounted reset switch.

Examples of Trip Cause Indication

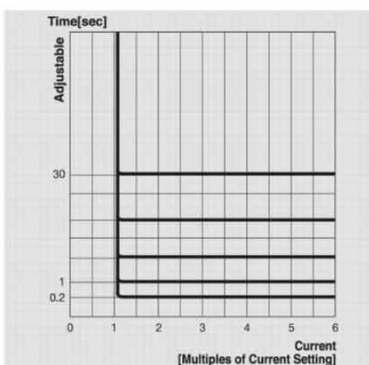
<ul style="list-style-type: none"> • Over-current Trip Relay displays a trip, caused by over-current, which has been detected from phase L1(R/T1). 	
<ul style="list-style-type: none"> • Under-current Trip Relay displays a trip, caused by under-current, which has been detected from phase L2(S/T2). 	
<ul style="list-style-type: none"> • Phase Loss Trip Relay displays a trip, caused by phase loss (Phase Failure) on Phase L2(S/T2) 	
<ul style="list-style-type: none"> • Phase Reversal Trip Relay displays a trip, caused by phase reversal. 	
<ul style="list-style-type: none"> • Phase Unbalance Trip Relay displays a trip, caused by phase unbalance, in phase L1(R/T1). 	
<ul style="list-style-type: none"> • Ground fault Trip : EOCR-3DZ/FDZ Only Relay displays a trip, caused by ground fault current 	
<ul style="list-style-type: none"> • Locked Rotor Trip Relay displays a trip, caused by locked rotor, during starting state 	
<ul style="list-style-type: none"> • Locked Rotor Trip Relay displays a trip, caused by locked rotor, while motor is working 	

Time-Current Characteristic Curve



O-T Setting (Curve)	IEC 947-4 (Trip Class)
1-5	10A
6-10	10
11-20	20
21-30	30

Curve-1 Inverse (SW3-INV/On position)

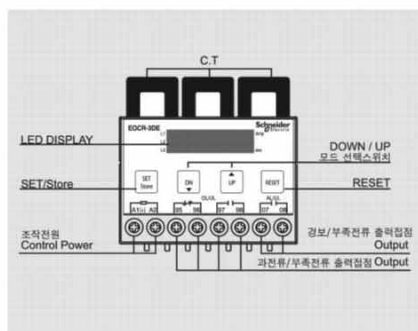


Curve-2 Definite (SW3-DEF/Off position)

EOCR-3DE/3EZ



EOCR-3DE / 3EZ



- MCU Based
- 3 Integral Current Transformers
- Over-current, Under-Current, Phase Loss, Phase Unbalance, Phase Reversal, Locked Rotor Protection
- Digital Ammeter & Trip cause indication
- Selectable Trip Time-Current Characteristics
- Independently Adjustable Starting Trip Delay and Operating Trip Time
- + Load Alerting Function → EOCR-3DE
- + Ground Fault Protection → EOCR-3EZ

Protection

EOCR-3DE		EOCR-3EZ	
Protective Item	Trip Time	Protective Item	Trip Time
Over-current	O-TIME	Over-current	O-TIME
Under-current	0.5~30 sec	Under-current	0.5~30 sec
Phase Loss	3 sec	Phase Loss	3 sec
Phase Unbalance	8 sec	Phase Unbalance	8 sec
Phase Reversal	0.1~0.3 sec	Phase Reversal	0.1~0.3 sec
Locked Rotor	D-TIME	Locked Rotor	D-TIME
-	-	Ground Fault	0.05-10 sec

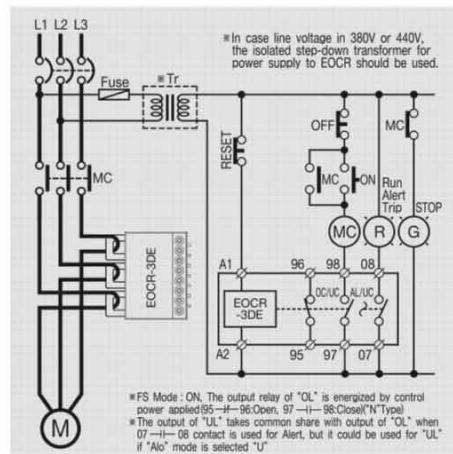
Specification

Model	EOCR-3DE	EOCR-3EZ
Over Current Setting Range	Refer Table #1	
Ground Fault Current Setting	-	A: 0.02 ~ 3A / B: 0.2~10A
Alert Setting	50 ~ 100% / OFF	-
Start Delay Time Setting (D-TIME)	1 ~ 200 sec	
Trip Delay Time Setting (O-TIME)	INV	1 ~ 30
	DEF	0.2 ~ 30 sec
Control Voltage	24VAC/DC, 110VAC ± 15%, 220VAC ± 15%	
Contact Rating	OL	2-SPST
	AL/GR	AL Relay / Ground Fault Relay
Rating	3A/250VAC Resistive	
Time Characteristic	In ² /t ² mode	Inverse (See Curve-1)
	dE ² /t ² mode	Definite (See Curve-2)
Troubleshooting / Trip Indication	LED Display (SSD+LED)	
Current Sensing	3-CT	
Mounting	35mm Din-rail	

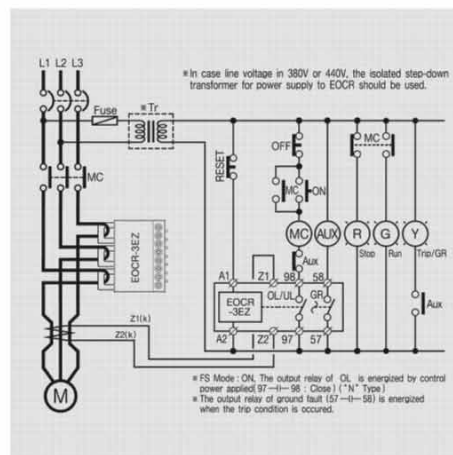
Table #1. Current Range

Current Setting Range (Amps)	Number of Conductors thru CT windows	External CT Ratio	Setting of CT Ratio	Remark
0.5 ~ 60A	1	-	OFF(Mode : -)	Wide Range
0.25 ~ 3.0A	2	-	2t	
0.1 ~ 1.2A	5	-	5t	
1 ~ 12A	1	10 : 5	10	
1.5 ~ 18A	1	15 : 5	15	
2.0 ~ 24A	1	20 : 5	20	
2.5 ~ 30A	1	25 : 5	25	
3.0 ~ 36A	1	30 : 5	30	
4.0 ~ 48A	1	40 : 5	40	
5 ~ 60A	1	50 : 5	50	
6 ~ 72A	1	60 : 5	60	
7.5 ~ 90A	1	75 : 5	75	
10 ~ 120A	1	100 : 5	100	
12 ~ 144A	1	120 : 5	120	
15 ~ 180A	1	150 : 5	150	
20 ~ 240A	1	200 : 5	200	
25 ~ 300A	1	250 : 5	250	
30 ~ 360A	1	300 : 5	300	
40 ~ 480A	1	400 : 5	400	
50 ~ 600A	1	500 : 5	500	
60 ~ 720A	1	600 : 5	600	
75 ~ 900A	1	750 : 5	750	
80 ~ 960A	1	800 : 5	800	

Typical Wiring



EOCR-3DE



EOCR-3EZ

※ Tolerance(3DD/ 3DZ / FD / FDZ / PMZ / SSD)

Current	I < 1A : ±0.05A
	I ≥ 1A : ±5%
Time	0.05s → Within 0.05s
	t ≤ 3s : ±0.2S
	t > 3s : ±5%

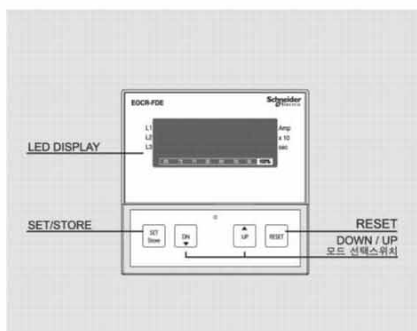
Caution
The external CT should be used in case Inverse curve (toIn setting) is applied over 10Amps.

EOCR-FDE/FEZ

Digital Over Current Relay



EOCR-FDE / FEZ



- MCU Based
- 3 Integral Current Transformers
- Over-current, Under-Current, Phase Loss, Phase Unbalance, Phase Reversal, Locked Rotor Protection
- Digital Ammeter & Trip cause indication
- Selectable Trip Time Characteristics
- Independently Adjustable Starting Trip Delay and Trip Time
- + Load Alerting Function → EOCR-FDE
- + Ground Fault Protection → EOCR-FEZ

Protection

EOCR-FDE		EOCR-FEZ	
Protective Item	Trip Time	Protective Item	Trip Time
Over-current	O-TIME	Over-current	O-TIME
Under-current	0.5~30 sec	Under-current	0.5~30
Phase Loss	3 sec	Phase Loss	3 sec
Phase Unbalancal	8 sec	Phase Unbalancal	8 sec
Phase Reverse	0.1~0.3 sec	Phase Reverse	0.1~0.3 sec
Locked Rotor	D-TIME	Locked Rotor	D-TIME
-	-	Ground Fault	0.05~10 sec

Specification

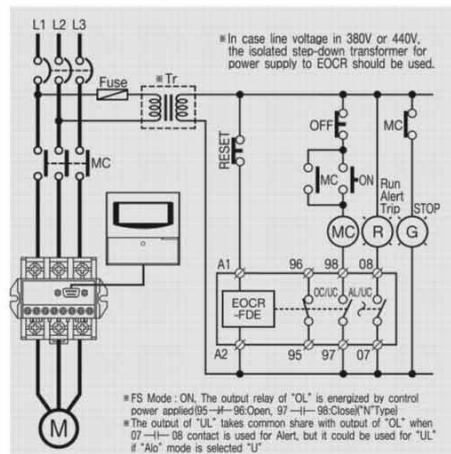
Model	EOCR-FDE	EOCR-FEZ
Over Current Setting	Refer Table #1	
Ground Fault Current Setting	-	A: 0.02 ~ 3A / B: 0.2~10A
Alert Setting	50 ~ 100% / OFF	-
Start Time Setting (D-TIME)	1 ~ 200 sec	
Trip Time Setting (O-TIME)	INV	1 ~ 30
	DEF	0.2 ~ 30 sec
Control Voltage	24VAC/DC, 110VAC ± 15%, 220VAC ± 15%	
Contact Rating	OL	2-SPST
	AL/GR	1-SPST
Rating	3A/250VAC Resistive	
Time Characteristic	In ² /t ² mode	Inverse (See Curve-1)
	dE ² /t ² mode	Definite (See Curve-2)
Troubleshooting / Trip Indication	LED Display (SSD+LED)	
Current Sensing	3-CT	
Mounting	35mm Din-rail	

※ Caution The external CT should be used in case Inverse curve(tc In setting) is applied over 10Amps.

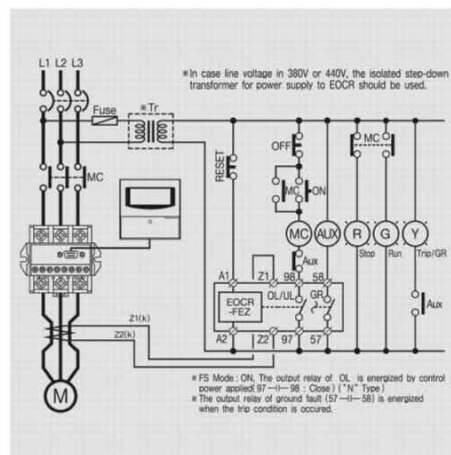
How to set

Mode	◀ DN ▶ UP	Search a mode to be adjusted by depressing UP/DN mode switch.
Set	SET store	Selected mode and setting value start flickering which means to be ready to accept setting as pressing once Set/store button
Adjust	◀ DN ▶ UP	Select a required setting value and/or characters by pressing continuously UP/DN mode switch until reaching what want to do.
Store	SET store	Store a selected value and/or characters by pressing once Set/store button Instantaneously the flickering is stopped.
Reset	RESET	After completing above procedure, make a reset to be ready to operate. If not made reset, it will be reset automatically after an elapse of 30sec.

Typical Wiring



EOCR-FDE



EOCR-FEZ

EOCR-M1 Series

Digital Over Current Relay

Features

- MCU(Microprocessor Control Unit) Based
- Convenient installation
 - PMZ : Panel Mounting Type
 - PFZ : Panel Flush Mounting Type
- Easy to set
- 3 Integral Current Transformers
- Multiple Protection Functions
- Wide range protection from 0.1A to 3600A by just 1 model
- Built-in digital ammeter
- Total running time display
- Current display like L1→L2→L3→GF...
- Bar-Graph monitoring on impending overload trip
- Selectable time-current characteristics [Inverse / Inverse based on thermal Memory(Thermal Inverse) / Definite]
- 4~20mA current loop communications
- Test function
- Selectable Fail-safe operation / No volt Release (FS : ON)
- Operates in wide ambient temperature range

Comparison Table of Model

EOCR		PMZ	FMZ
Protection	Over - current	●	●
	Under - current	●	●
	Short - current	●	●
	Phase Loss	●	●
	Phase Unbalance	●	●
	Phase Reverse	●	●
	Locked Rotor	●	●
	Ground Fault	●	●
Current output 4~20mA		●	●

External CT Option

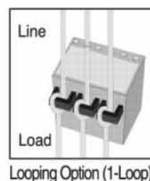
Higher ampere ranges can be achieved by setting CT Ratio in "ct" mode to take an external current transformer, and the actual motor current display can be provided

Current Setting Range (Amps)	Number of Conductors thru CT windows	External CT Ratio	Setting of CT Ratio	Remark
0.5 ~ 60A	1	-	OFF	Wide Range
0.25 ~ 3.0A	2	-	2t	
0.1 ~ 1.2A	5	-	5t	
1 ~ 12A	1	10 : 5	10	
1.5 ~ 18A	1	15 : 5	15	
2.0 ~ 24A	1	20 : 5	20	
2.5 ~ 30A	1	25 : 5	25	
3.0 ~ 36A	1	30 : 5	30	
4.0 ~ 48A	1	40 : 5	40	
5 ~ 60A	1	50 : 5	50	
6 ~ 72A	1	60 : 5	60	
7.5 ~ 90A	1	75 : 5	75	
10 ~ 120A	1	100 : 5	100	
12 ~ 144A	1	120 : 5	120	
15 ~ 180A	1	150 : 5	150	
20 ~ 240A	1	200 : 5	200	
25 ~ 300A	1	250 : 5	250	
30 ~ 360A	1	300 : 5	300	
40 ~ 480A	1	400 : 5	400	
50 ~ 600A	1	500 : 5	500	
60 ~ 720A	1	600 : 5	600	
75 ~ 900A	1	750 : 5	750	
80 ~ 960A	1	800 : 5	800	
100 ~ 1200A	1	1000 : 5	1000	
120 ~ 1800A	1	1500 : 5	1500	
200 ~ 3000A	1	2000 : 5	2000	
250 ~ 3000A	1	2500 : 5	2500	
300 ~ 3600A	1	3000 : 5	3000	

Looping Option

Smaller ampere ranges than particular EOCR current range can be covered by looping the motor wire 2 or 3 times as under described.

	No of Loops	Current Ratio of Ext. CT	Current Setting Range (A)
0.5 Type	0	1	0.5 - 10
	1	2	0.25 - 6
Looping Option	2	3	0.17 - 3.3
	3	4	0.12 - 2.5
	4	5	0.1 - 2



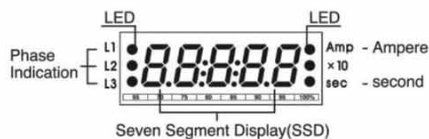
Protection Feature

Function	Description	Selection
Over-Current	When the motor operating current(In) exceeds preset "oc" setting, the relay will trip after preset O-Time in "ot" setting. The amperage of In(operating current) will not effect relay trip time.	Otc:dE Selection Curve-2
	The tripping time of relay depends on the amperage of In (operating current) according to time-current characteristics	Otc:In Selection Curve-1
	Thermal Inverse characteristics is adopted inverse time-current characteristics based on thermal memory. If Otc:dE or Otc:In is selected, accumulated thermal memory is cleared (Automatically reset)	Otc:th
Under-Current	This is for idle/dry running protection. The relay operates when the operating current is less than preset "uc" current after preset "ut" time elapses.	Definite time
Phase Loss	The relay will be operated within 3sec. when the phase failure occurs. This function works during D-Time. If this function is not necessary, it can be deleted by selected PL:oFF	PL:on Selection
Phase Unbalance	The relay operates within 8sec. when the current difference among 3phases is greater than preset % of unbalance. The calculation formula is (Max-Min)/Max current x 100	Ub:6 shows 6% selected
Phase Reversal	In the event of wrong phase sequence, relay will be operated in 0.1sec. Phase reversal protection function can be disabled by setting RP:oFF	RP:on Selection
Ground Fault	Ground fault protection is provided by the relay tripping sensed by Zero. Phase Current Trasformer (Core Balanced Current Transformer) The relay shows the leakage current during operation. The characteristic of operating time can be selected for Etc:dE or In.	Definite 0.03-10A inverse 0.03-1.0A
Locked Rotor	The setting range is 2-10 times of oc setting. If the starting current exceeds more than setting value after preset D-Time elapses, the relay will be energized within 0.5sec. This function is available on definite time characteristic. It can be deleted by setting Lc:oFF	Disable on inverse characteristic During D-Time
Stall	The setting range is 1-10sec. If the operating current exceeds more than 180% of preset "oc" setting, the relay will be energized after the preset "st" time elapses. It can be deleted by setting Sc:oFF which makes St:oFF automatically(operating time of stall)	Disable on inverse characteristic After D-Time

EOCR-M1 Series

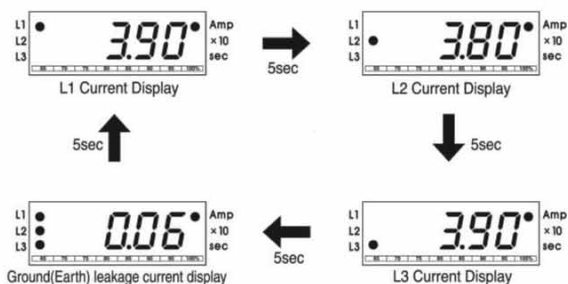
Digital Over Current Relay

LED Display



Digital Ammeter

3 phase motor currents (In) and ground(earth) leakage current are displayed in sequence on the LED display.



Digital Trip Cause Indication / Easy Troubleshooting

When EOCR-M1 series relay trips, the cause of trip is displayed on the LED display. The displayed trip cause assures easy troubleshooting

Fail-safe & Non-fail-safe

The tripping relay can be operated in a fail-safe or non-fail-safe mode

Application of the Fail-safe Connection

Fail safe setting in "FS" mode : ON

The tripping relay is normally energized with control power supply

Application of the Non-fail-safe Connection

In all cases, the failure of the control voltage may not interrupt the process.

	Control power on →	Relay Trip →
FS:ON (Fail safe)	95- 96	■
	97- 98	■
FS- (OFF) (Non-Fail safe)	95- 96	■
	97- 98	■

Test

This is the self-test of this product, checking function of sequence after the installation. If the relay enters into this mode, it begins its count down preset value of O-Time after waiting 3sec and becomes trip state as showing "END" message that means this relay is ready to work "END" message of this test is also stored in "Fault" mode as last trip. While motor is running, output relay contact is not switched to prevent unnecessary trip

Reset

It can be selected by rt:H-r, rt:E-r or rt:A-r in rt mode.

The rt means reset type and the meaning of H-r, E-r and A-r are hand, electrical and auto reset respectively.

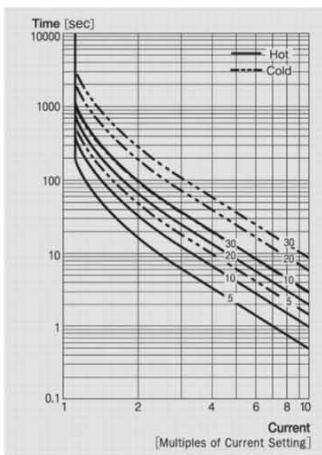
The relay can be reseted by depressing the reset button on relay fascia -rt:H-r, interruption of control power on A1, A2-rt:E-r and by setting of automatic reset time from 0.2sec to 20min(indication : 20n) -rt:A-r and A:0.3

Examples of Trip Cause Indication

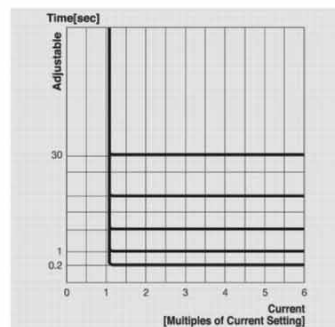
<ul style="list-style-type: none"> Over-current Trip Operated by max.current among 3 phases 	
<ul style="list-style-type: none"> Under-current Trip Operated by min.current among 3 phases 	
<ul style="list-style-type: none"> Locked Rotor Trip Operated by Locked Rotor in starting state The highest current is L1 phase 	
<ul style="list-style-type: none"> Stall Trip Operated by Locked Rotor in operating state L1 phase current reachis stall setting value 	
<ul style="list-style-type: none"> Phase Reversal Trip Operated by Reversal Trip 	
<ul style="list-style-type: none"> Phase Unbalance Trip Operated by Phase Unbalance Trip The Lowest current in L2 phase 	
<ul style="list-style-type: none"> Phase Loss Trip Phase Loss Trip The indication Shows L1 phase loss. 	
<ul style="list-style-type: none"> Ground Fault Trip Operated by Ground fault current 	

Each phase current is displayed in order whenever depress UP/DN switch every once after entering into "trip" mode

Time-Current Characteristic Curve

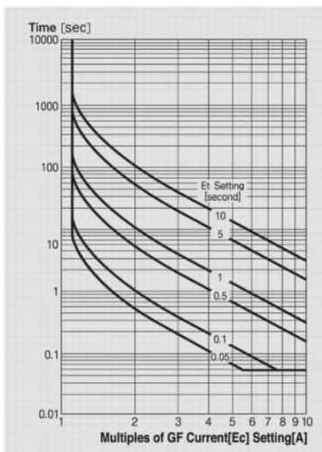


O-T Setting	IEC 947-4(Trip Class)
1-5	10A
6-10	10
11-20	20
21-30	30



Curve-1 Inverse

Curve-2 Definite



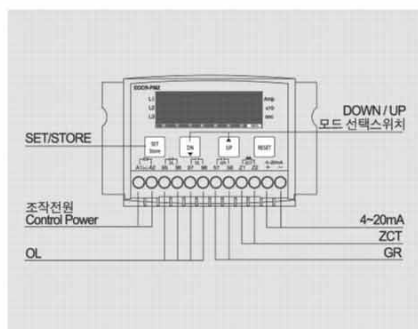
Curve-3
Inverse time characteristics of EC
(Ground current range : 0.03~1A)

EOCR-PMZ

Digital Over Current Relay



EOCR-PMZ



- MCU Based / Panel Mounting Type
- 3 Integral Current Transformers
- Over-current, Under current, Phase Loss, Phase Unbalance, Phase Reversal, Ground Fault, Locked Rotor Protection and current output(4~20mA)
- Digital Ammeter & Easy Troubleshooting
- Bar-graph Type LED Display
- Selectable Trip Time-Current Characteristics
- Independently Adjustable Starting Trip Delay and Operating Time

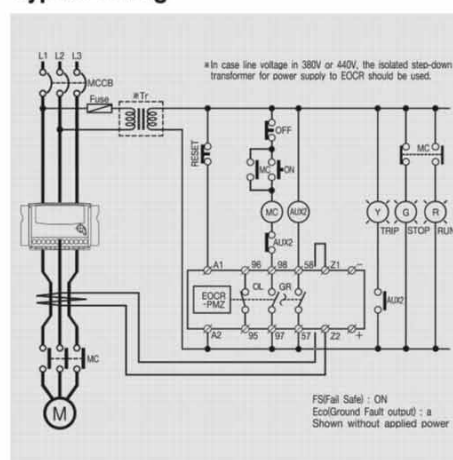
Protection

EOCR-PMZ			
Protective Item	Trip Time	Protective Item	Trip Time
Over-current	O-TIME	Ground fault	Preset Et time
Under-Current	Preset Ut time	Locked Rotor	0.5sec after d-time
Phase reversal	0.1~0.3sec	Stall	0.05~10sec
Phase Unbalance	8sec		

Specification

Model		PMZ	
Current Setting Range	Over-Current(oc)	Refer to current setting range (page 19)	
	Under-Current(uc)	Off / 0.5 ~ less than "oc" setting	
	Ground Fault Current(Ec)	Off	
Time Setting	Starting Delay Time(dt)	0.3 ~ 10A : definite time characteristics 0.3 ~ 1A definite / inverse time characteristics, selectable	
	Over-Current Trip Delay(ot)	Definite Time	0.2 ~ 30sec
		Inverse Time	1.0 ~ 30class(30curves)
	Under-Current Trip Delay(ut)	0.5 ~ 30sec, definite time characteristics, if "uc" mode is OFF, then OFF is displayed automatically in "ut" mode	
		Ground Fault Trip Delay(Et)	Definite / Inverse : 0.05, 0.1 ~ 1 ~ 10sec(curve-3)
Ground Fault Starting Delay(Ed)	OFF / 1 ~ 10sec		
Tolerance	Current	±5%	
	Time	±5%	
Control Power	24	24VAC/DC	
	220	85 ~ 250VAC/DC, 50/60Hz	
Contacts Rating	OL	2-SPST	3A / 250VAC Resistive
	GR	1-SPST	3A / 250VAC Resistive
Environment	Temperature	Store	-30 ~ 80°C
	Operation		-20 ~ 60°C
Display	Humidity	30 ~ 85% RH Non-Condensing	
	7-Segment LEDs	3 Phase current, Trip cause, Operating hour	
Bar-Graph			Load factor for current setting(50 ~ 100%)
Insulation	Between casing and circuit : over 10 μ , DC500V		
Dielectric Strength	Between casing and circuit	Between casing and circuit	2000VAC, 60Hz, 1min
	Between open contacts	Between open contacts	1000VAC, 60Hz, 1min
	Between circuit	Between circuit	2000VAC, 60Hz, 1min
Electrostatic Discharge	IEC61000-4-2	Lever 3 : Air Discharge : ±8kV, Contact Discharge : ±6kV	
Radiated Electromagnetic Field Disturbance	IEC61000-4-3	Lever 3 : 10V/m, 150MHz & 450MHz Portable transceiver	
EFT / Burst	IEC61000-4-4	Lever 3 : ±2kV, 1min	
Surge	IEC61000-4-5	Lever 3 : 1. × 50 μ s, ±4kV(0°, 90°, 180°, 270°)	
1MHz Burst disturbance	IEC61000-4-12	Lever 3 : 2.5kV, 1MHz	
Conducted Emission	EN55011	Class B	

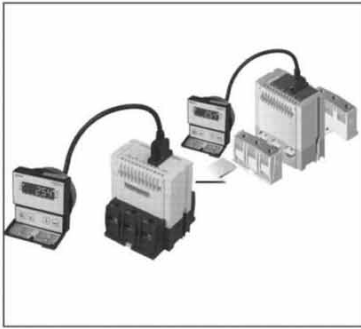
Typical Wiring



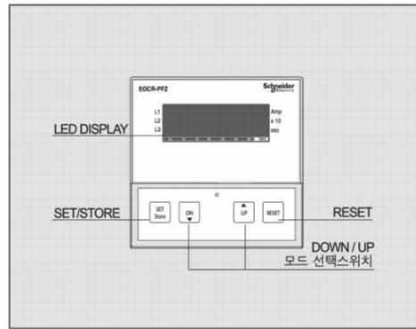
EOCR-PMZ (Terminal Type)

EOCR-PFZ

Digital Over Current Relay



EOCR-PFZ



- MCU Based / Panel Mounting Type
- 3 Integral Current Transformers
- Over-current, Under current, Phase Loss, Phase Unbalance, Phase Reversal, Ground Fault, Locked Rotor Protection and current output(4~20mA)
- Digital Ammeter & Easy Troubleshooting
- Bar-graph Type LED Display
- Selectable Trip Time-Current Characteristics
- Independently Adjustable Starting Trip Delay and Trip Time

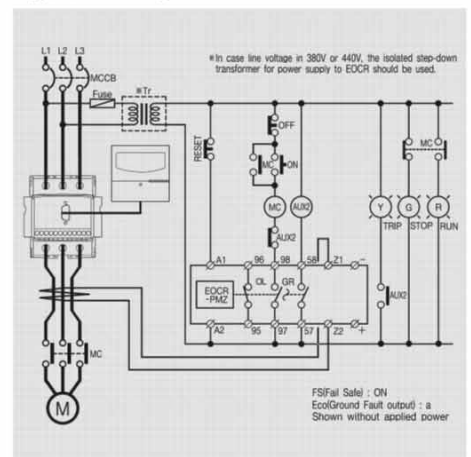
Protection

EOCR-PFZ			
Protective Item	Trip Time	Protective Item	Trip Time
Over-current	O-TIME	Short Circuit	0.03~0.05sec
Under-Current	Preset Ut time	Ground fault	Preset Et time
Phase reversal	3sec	Locked Rotor	0.5sec after d-time
Phase Unbalance	8sec	Stall	0.05~10sec

Specification

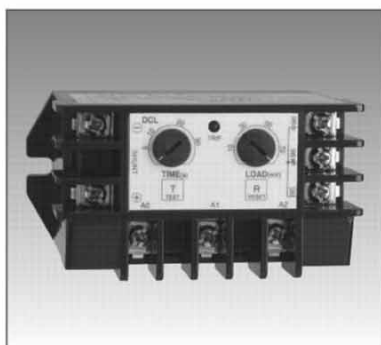
Model		PFZ	
Current Setting	Over-Current(oc)	Refer to current setting range(page 19)	
	Under-Current(uc)	Off / 0.5 ~ less than "oc" setting	
	Ground Fault Current(Ec)	Off	
Time Setting	Starting Delay T ime(dt)	Off ~ 200sec, Adjustable	
	Over-Current Trip Delay(ot)	Definite Time	0.2 ~ 30sec
		Inverse Time	1.0 ~ 30class(30curves)
	Under-Current Trip Delay(ut)	0.5 ~ 30sec, definite time characteristics, if "uc" mode is OFF, then OFF is displayed automatically in "ut" mode	
	Ground Fault Trip Delay(Et)	Definite / Inverse : 0.05, 0.1 ~ 1 ~ 10sec(curve-3)	
Ground Fault Starting Delay(Ed)	OFF / 1 ~ 10sec		
Tolerance	Current	±5%	
	Time	±5%	
Control Power	220	85 ~ 250VAC/DC, 50/60Hz	
Contact Rating	OL	2-SPST	3A/250VAC Resistive
	GR	1-SPST	3A/250VAC Resistive
Environment	Temperature	Store	-30 ~ 80°C
		Operation	-20 ~ 60°C
	Humidity	30 ~ 85% RH Non-Condensing	
Display	7-Segment LEDs	3 Phase current, Trip cause, Operating hour	
	Bar-Graph	Load factor for current setting(50 ~ 100%)	
Insulation	Between casing and circuit : over 10 Ω , DC500V		
Dielectric Strength	Between casing and circuit	Between casing and circuit	2000VAC, 60Hz, 1min
	Between open contacts	Between open contacts	1000VAC, 60Hz, 1min
	Between circuit	Between circuit	2000VAC, 60Hz, 1min
Electrostatic Discharge	IEC61000-4-2	Lever 3 : Air Discharge : ±8kV, Contact Discharge : ±6kV	
Radiated Electromagnetic Field Disturbance	IEC61000-4-3	Lever 3 : 10V/m, 150MHz & 450MHz Portable transceiver	
EFT / Burst	IEC61000-4-4	Lever 3 : ±2kV, 1min	
Surge	IEC61000-4-5	Lever 3 : 1. × 50 μ s, ±4kV(0°, 90°, 180°, 270°)	
1MHz Burst disturbance	IEC61000-4-12	Lever 3 : 2.5kV, 1MHz	
Conducted Emission	EN55011	Class B	

Typical Wiring



EOCR-PFZ (Terminal Type)

DCL/DUCR *Electronic DC Current*



Features

- DC Overcurrent Relay for DC Motor
- The milli-volt(mV) signals generated from the Shunt and power supply are sensed by solid state circuitry and compared with preset overload setting. In case sensing overload condition, the internal relay switches contact after the preset delay. It has easier control operation. It has DC Overload and DC Underload protection relays.
- It has wide DC current protection range from 1A to hundreds Amps.
- DC Ammeter maybe used instead of Shunt (DC Ammeter has its own shunt inside and keep 50mV maintained.)

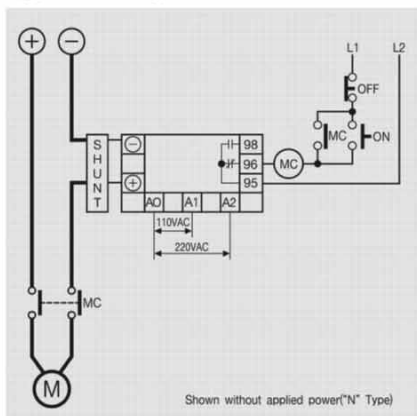
Protection

Protective Item	Trip Time	
	DCL	DUCR
Over-current	O-TIME	-
Undercurrent (Dry-run)	-	O-TIME

Specification

Current Setting	Type	Setting Range(DCL)	Setting Range(DUCR)
		DC Over-current Relay	DC Under-current Relay
	70	Secondary Voltage of Shunt (10~70m VCD)	
Trip Time Setting	O-TIME	30sec(Adjustable)	
Reset	M	Manual(Instantaneous) / Electrical(Remote)	
	A	Auto(Instantaneous) Reset(Optional)	
Indication		LED	
Power Supply	Voltage	220	110 / 220VAC
		440	380 / 440VAC
	Frequency	50 / 60Hz	
Contact Rating	N	Normally Energized	
	R	Normally De-energized	
Mounting		Panel	

Typical Wiring



DOCR-S/H *Electronic DC Current*



Features

- MCU (Microprocessor Control Unit) Based
- DC Motor / DC Device Protection
- Sensing by Shunt (DOCR-S) / by Hall Sensor (DOCR-H)
- Actual primary current is displayed after Shunt / Hall Sensor setting. (Indication)
- Digital Setting / Tripped Current digital DATA displayed. (Indication)
- Auto Reset / Reset Time Setting
- Confirm Setting Current / Test Function
- No Volt Release function (Fail-safe Operation) Setting (→ NVR Setting)

Protection

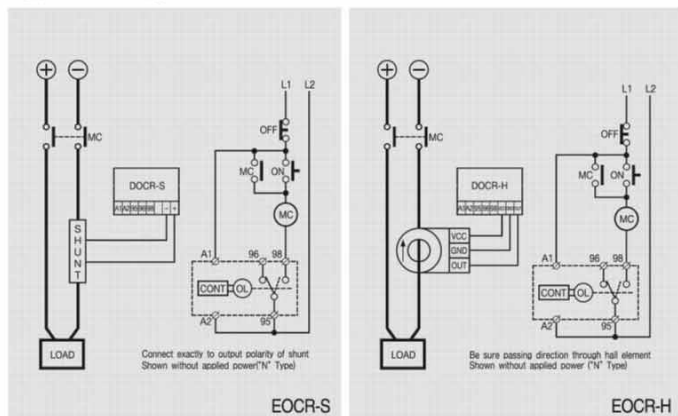
Protective Item	Trip Time
Over-current	O-TIME(Definite)

※ In case the line voltage is same voltage with control voltage of DOCR-S type, Contact our representative or our head office.

Specification

Current Setting	Setting Range (DOCR/DUCR-S)	Setting Range (DOCR/DUCR-H)	
O-TIME	0.1 ~ 240A	5 ~ 360A	
Reset Time	0.5 ~ 25sec	0.5 ~ 25sec	
Rated Shunt	1A, 2A, 5A, 10A, 20A, 50A, 110A, 200A		
Rated Hall Sensor	-	50A, 100A, 200A, 300A	
Power Supply	Voltage	24	24VAC/DC
		220	85 - 250VAC/DC
	Frequency	50/60Hz	
Reset		Manual / Electrical / Auto Reset	
Contact Rating	Mode	1-SPDT(1C)	
	Rating	3A/ 250VAC Resistive	
Indication		7Segment LED	
Mounting		Panel	

Typical Wiring



EUCR *Electronic Undercurrent Relay*



Features

- Compact Design
- Two Integral Current Transformers
- Under-load Protection (Dry-run Protector)
- Wide Current Adjustment Range
- Definite Trip Time Characteristic
- Manual (instantaneous) / Electrical (Remote) Reset
- Ambient Insensitive
- Non-fail-safe Operation

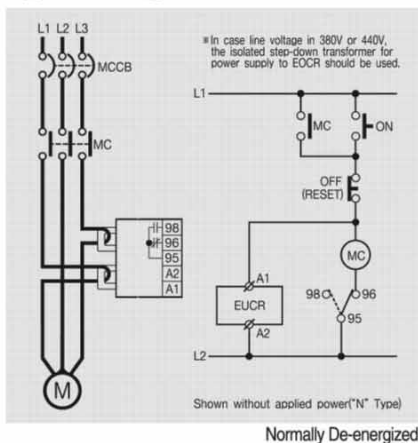
Protection

Protective Item	Trip Time
Undercurrent (Dry-run)	O-TIME

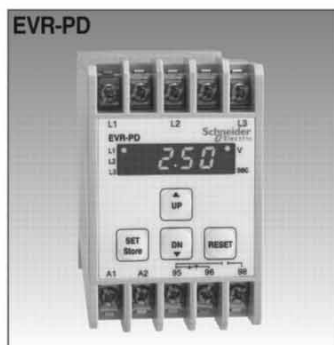
Specification

Current Setting	Type	Setting Range
	05	0.5 - 6A
	30	3.0 - 30A
	60	5.0 - 60A
	100 - 600	05 Type fitted to External CT (Current Ratio: 100/5A - 600/5A)
Trip Time Setting	O-TIME	0.2 - 30 sec
Reset		Manual (Instantaneous) / Electrical (Remote)
Time-current Characteristics		Definite
Power Supply	Voltage	24 24VAC/DC
		110 110VAC
		220 220VAC
	Frequency	50/60Hz
Contact Rating	Mode	1-SPDT (1C)
	Rating	3A/250VAC Resistive
	Status	Normally De-energized
Mounting		35mm DIN-rail / Panel

Typical Wiring



EVR-PD/FD *Digital AC Voltage Relays*



Features

- MCU & ASIC Based Compact Design
- Multiple Protection Functions
- Wide Voltage Adjustment Range
- Digital Volt Meter and Digital Setting
- Trip Cause Display & Easy Troubleshooting
- Manual / Electrical / Automatic Reset
- Adjustable Reset Timer
- Ambient Insensitive

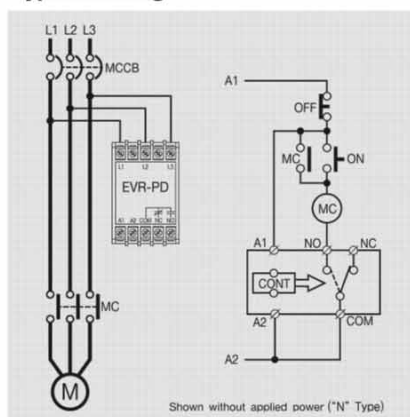
Protection

Protective Item	Trip Time (EVR-PD/FD)
Over-voltage	OVR-TIME
Under-voltage	UVR-TIME
Phase Loss	2 sec
Phase Reversal	0.1 sec
Voltage Unbalance	3 sec

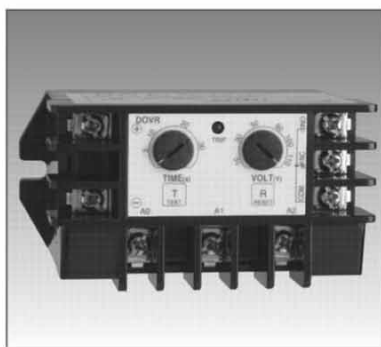
Specification

Voltage Setting	Type	Over-voltage (O-VOLT)	Under-voltage (U-VOLT)
	110	110 - 150V	80 - 120V
	220	220 - 300V	160 - 240V
	440	380 - 500V	300 - 440V
Trip Time Setting	O-TIME	0.5 - 10 sec	
	U-TIME	0.5 - 10 sec	
Control Voltage	220	AC/DC85 - 250V	
	Others	AC/DC24, 48V (Optional Order)	
Contact Rating	Mode	1-SPDT(1C)	
	Rating	3A/250VAC Resistive	
	Status	Normally Energized	
Reset	SW3=AUTO	Reset Time: 1 or 5 sec (DIP-SW4)	
	SW3=MAN	RESET Button	
Mounting	PD	35mm Din-Rail / Panel	
	FD	Flush	
	PCU	35mm DIN-Rail / Panel	

Typical Wiring



DOVR/DUVR *Electronic DC Voltage Relay*



Features

- Compact Design
- Definite Trip Time-current Characteristic
- Trip & Run Indication (LED)
- Confirm actual current and precise setting possible as it has Voltage Meter.
- Solid State DC Over-voltage / Undervoltage Protection.

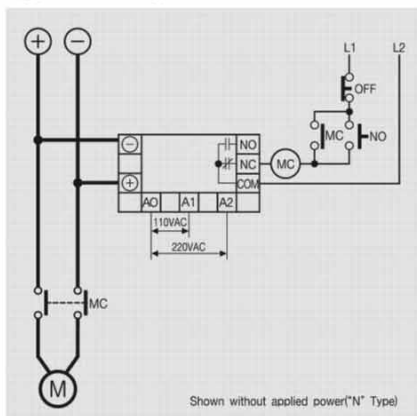
Protection

Protective Item	Trip Time	
	DOVR	DUVR
Over-voltage	O-TIME	-
Undervoltage	-	O-TIME

Specification

Model	DC Over-voltage	DC Undervoltage
Voltage Setting	Type	Voltage Setting Range
	10	1 ~ 10V
	30	3 ~ 30V
	110	10 ~ 110V
	220	20 ~ 220V
	Others	Option
Trip Time Setting	O-TIME	0.2 ~ 30sec
Reset	M	Manual(Instantaneous) / Electrical Reset
	A	Auto (Option)
Control Voltage	220	110/220VAC, 50/60Hz
	Others	Other Voltage Option
Contact Rating	Mode	1-SPDT(1C)
	Status	R Type
Mounting		Panel

Typical Wiring



DVR *Electronic DC Voltage Relay*



Features

- MCU (Microprocessor Control Unit) Based
- DC Motor / DC Device Protection
- Separate Setting for Over-voltage and Undervoltage
- Line Voltage Indicative Function (FND)
- Digital Setting / Trip Cause Indication
- Auto Reset / Reset Time Setting
- Confirm Setting Value / TEST Function
- No Volt Release Function (Fail-safe Operation) Setting (→NVR Setting)

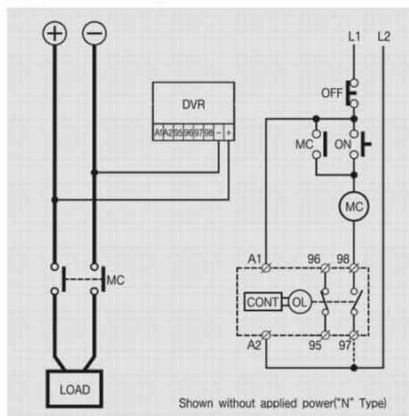
Protection

Protective Item	Trip Time
Over-voltage	O-TIME
Undervoltage	O-TIME

Specification

Model	Setting Range	
Over-voltage	OVR 100 ~ 160VDC	
Undervoltage	UVR 60 ~ 110VDC	
Trip Time	O-TIME 0.5 ~ 25sec	
Reset Time	R-TIME 0.5 ~ 25sec	
Power Supply	Voltage	
	24	24VAC/DC
	220	85 ~ 250VAC/DC
	Frequency	50/60Hz
Reset	Manual / Electrical / Auto Reset	
Mounting	35mm DIN-Rail / Panel	

Typical Wiring



ELR

Earth Leakage Relay



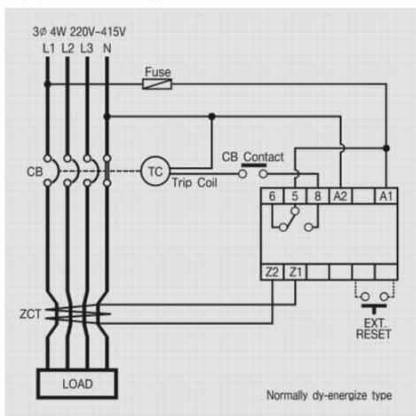
Features

- MCU Based Compact Design
- Ground (Earth) Fault Protection for Motor and Power Distribution Systems
- Zero Phase Current Detection Method
- Test Button Provides a Manual Self-testing Function
- Independently Adjustable Ground (Earth) Current and Trip (Operating) Delay Time
- Built-in Power Indication LED and Trip Indication LED

Specification

Current Setting	0.03 ~ 3A (0.03, 0.07, 0.1, 0.3, 0.5, 1, 1.5, 2, 2.5 and 3A Tap)	
Time Setting	0.2 ~ 2.0sec (0.2, 0.4, 0.6, 0.8, 1.0, 1.2, 1.4, 1.6, 1.8 and 2.0 sec Tap)	
Operating Characteristic	Definite Time	
Current Sensing	ZCT(CBCT) - Zero Phase Current Detection	
Control Voltage	240VAC ± 10%	
Frequency	50/60Hz	
Current Tolerance	± 5%	
Time Tolerance	± 5%	
Contact Rating	5A/250VAC Resistive 1-SPDT / Normally De-energized	
Rated Insulation Voltage	600VAC, 50/60Hz	
Expected Mechanical Life	10,000,000 Operation	
Expected Electrical Life	100,000 Operation	
Ambient Temperature	-20 ~ 60°C	
Ambient Humidity	10 ~ 85% without Condensation	
Dielectric Strength	Casing-Circuit	2kV, 50/60Hz, 1min
	Contact-Contact	1kV, 50/60Hz, 1min
	Circuit-Circuit	2kV, 50/60Hz, 1min
Electrostatic Discharge	IEC61000-4-2 Level-3	
EFT / Burst	IEC61000-4-4 Level-3	
Surge	IEC61000-4-5 Level-3	
Voltage Dip & Interruption	IEC61000-4-11	
Mounting	Flush Mount (Panel Door Mount)	

Typical Wiring



EFR2.5

Ground(Earth) Fault Relay



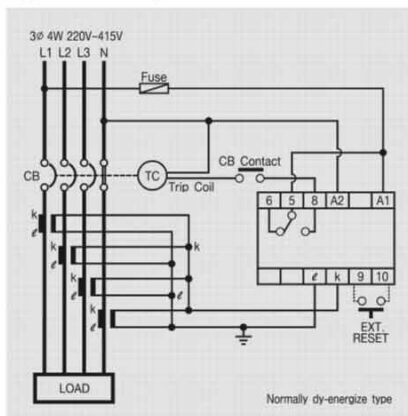
Features

- MCU Based Compact Design
- Ground (Earth) Fault Protection for Motor and Power Distribution Systems
- Residual Current Distribution Method
- Test Button Provides a Manual Self-testing Function
- Independently Adjustable Ground (Earth) Current and Trip (Operating) Delay Time
- Built-in Power Indication LED and Trip Indication LED

Specification

Current Setting	0.1 ~ 2.5A (0.1, 0.3, 0.5, 0.7, 1.0, 1.3, 1.5, 1.7, 2.0 and 2.5A Tap)	
Time Setting	0.2 ~ 2.0sec (0.2, 0.4, 0.6, 0.8, 1.0, 1.2, 1.4, 1.6, 1.8 and 2.0 sec Tap)	
Operating Characteristic	Definite Time	
Current Sensing	Residual Current Detection	
Control Voltage	240VAC ± 10%	
Frequency	50/60Hz	
Current Tolerance	± 5%	
Time Tolerance	± 5%	
Contact Rating	5A/250VAC Resistive 1-SPDT / Normally De-energized	
Rated Insulation Voltage	600VAC, 50/60Hz	
Expected Mechanical Life	10,000,000 Operation	
Expected Electrical Life	100,000 Operation	
Ambient Temperature	-20 ~ 60°C	
Ambient Humidity	10 ~ 85% without Condensation	
Dielectric Strength	Casing-Circuit	2kV, 50/60Hz, 1min
	Contact-Contact	1kV, 50/60Hz, 1min
	Circuit-Circuit	2kV, 50/60Hz, 1min
Electrostatic Discharge	IEC61000-4-2 Level-3	
EFT / Burst	IEC61000-4-4 Level-3	
Surge	IEC61000-4-5 Level-3	
Voltage Dip & Interruption	IEC61000-4-11	
Mounting	Flush Mount (Panel Door Mount)	

Typical Wiring



EGR

Electronic Ground Fault Relay



Features

- MCU Based Compact Design
- Ground Fault Protection with ZCT
- Trip & Run Indication LED
- Manual / Electrical Reset

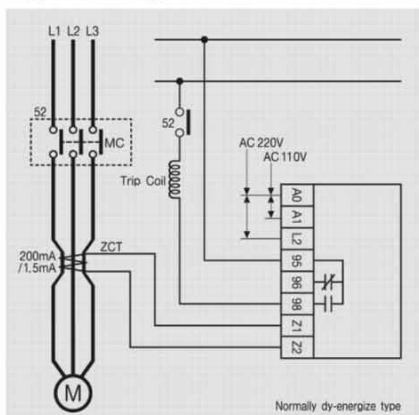
Protection

Protective Item	Trip Time
Ground Fault	O-Time

Specification

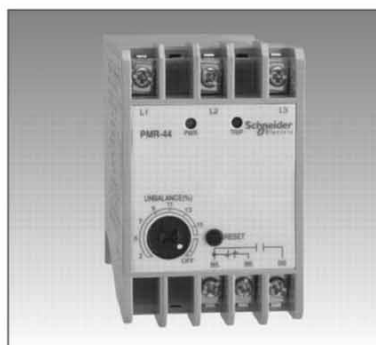
Ground Fault (GF)	Type	Range
Current Setting	05	50 - 500mA
	10	100 - 1,000mA
	20	200 - 2,500mA
Trip Time Setting	O-TIME	0.2 - 2.0 sec
Reset	Manual / Electrical (Push RESET Button or Interrupt Supply Power)	
Power Supply	110 / 220VAC, 50/60Hz	
Contact Rating	Mode/Rating	1-SPDT(1C), 3A/250VAC Resistive
	Status	Normally De-energized
Mounting	35mm DIN-Rail / Panel	

Typical Wiring



PMR

Electronic Phase Monitoring Relay



Features

- MCU Based Compact Design
- Multiple Protection Functions
- 2 - 15% Voltage Unbalance Setting
- Trip Cause Indication & Troubleshooting
- Manual / Electrical / Automatic Reset
- Ambient Insensitive
- Fail-safe Operation

Protection

Protective Item	Trip Time
Phase Reversal	0.1 sec
Phase Loss	1 sec
Voltage Unbalance	5 sec

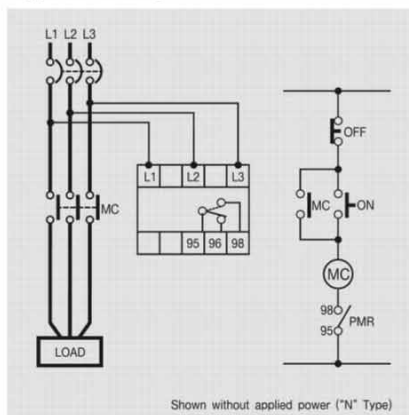
Specification

Control Voltage	Type	Range
	220	3 φ 160 - 300VAC, 50/60Hz
	440	3 φ 340 - 480VAC, 50/60Hz
Reset	Manual (Instantaneous) / Electrical Automatically reset with 5 sec delay when supply power comes to normal.	
Contact Rating	Mode	1 - SPDT (1C)
	Rating	5A/250VAC Resistive
	Status	Normally Energized
Mounting	35mm DIN-rail/Rail	

Troubleshooting

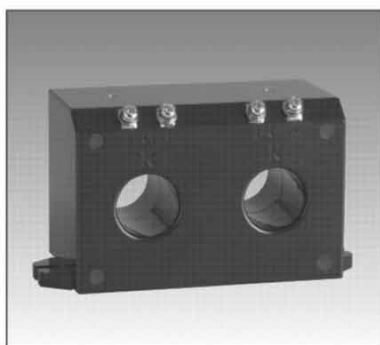
Condition	LED Signal (Pulse Chart)					
	Green LED		Red LED			
Normal Run	On	████████	Off	████████		
Voltage Unbalancing	On	████████	On	████████		
Trip	Voltage Unbalance	Off	████████	On	████████	
	Phase Loss	R	Off	████████	Flickering	████████
		S	Off	████████	Flickering	████████
		T	Off	████████	Flickering	████████
Phase Reversal	Off	████████	████████	Flickering alternatively	████████	

Typical Wiring



2CT

Current Transformer



Features

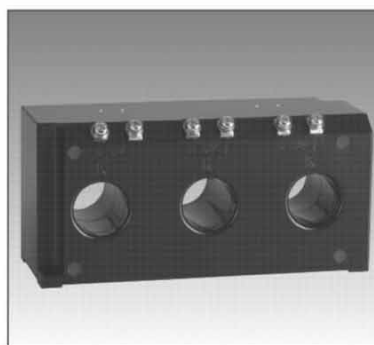
- Fitted to EOCR relays for Large Amp Motor Protection
- 1.0 Measuring Class
- For EOCR Only

Specification

Model	2CT-100	2CT-150	2CT-200	2CT-300	2CT-400
Current Ratio	100 : 5A	150 : 5A	200 : 5A	300 : 5A	400 : 5A
Class	1.0	1.0	1.0	1.0	1.0
Budden	5VA	5VA	5VA	5VA	5VA
Insulation Voltage	600VAC				
Dielectric Strength	2kV				
Insulation	10M Ω (500VDC Megger)				
Mounting	Panel				

3CT

Current Transformer



Features

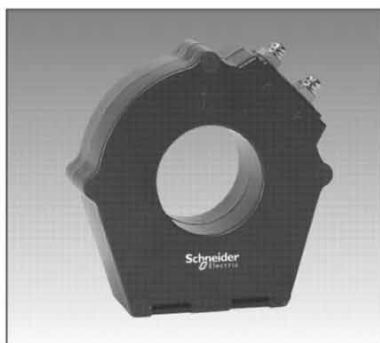
- Fitted to EOCR relays for Large Amp Motor Protection
- 1.0 Measuring Class
- For EOCR Only

Specification

Model	3CT-100	3CT-150	3CT-200	3CT-300	3CT-400
Current Ratio	100 : 5A	150 : 5A	200 : 5A	300 : 5A	400 : 5A
Class	1.0	1.0	1.0	1.0	1.0
Budden	5VA	5VA	5VA	5VA	5VA
Insulation Voltage	600VAC				
Dielectric Strength	2kV				
Insulation	10M Ω (500VDC Megger)				
Mounting	Panel				

ZCT

Zero Phase Current Transformer



Features

- Applicable for Ground Fault Protection Devices (EGR)
- Detect Zero Phase Current
- For EOCR Only

Specification

Hole Dimension	Type	Hole
	ZCT - 35	35mm
	ZCT - 80	80mm
	ZCT - 120	120mm
Primary GF Current		200mA
Secondary GF Current		1.5mA
Tolerance		$\pm 10\%$
Budden		10VA
Rated Voltage		600VAC
Dielectric Strength		2kV
Insulation		10M Ω (500VAC Megger)
Mounting		Panel

SR-CT

Current Transformer



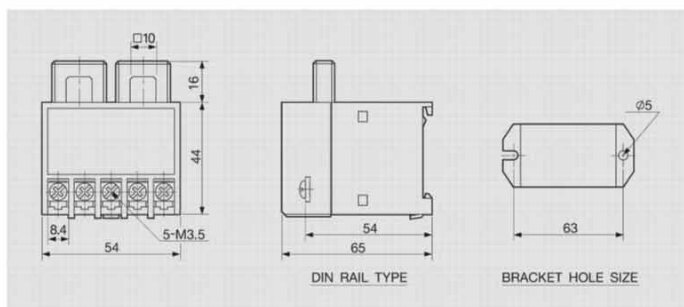
Features

- Fitted to EOCR relays for Large Amp Motor Protection
- Satisfied with IEC Inverse Trip Characteristic
- Protection Class
- For EOCR Only

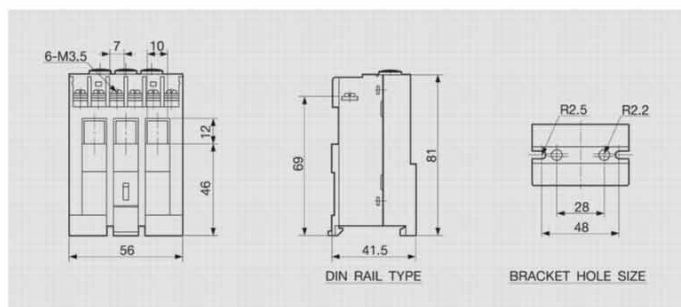
Specification

Current Ratio	Type	Current Ratio (SR-CT)
	SR-CT-100	100 : 5A
	SR-CT-150	150 : 5A
	SR-CT-200	200 : 5A
	SR-CT-300	300 : 5A
	SR-CT-400	400 : 5A
Tolerance (Protection Class)		$\pm 3\%$ (10P10 / IF=10)
Budden		1.25VA (5VA: Measuring Class)
Secondary Current		5A
Insulation Voltage		600VAC
Dielectric Strength		3kV
Insulation		10M Ω (500VDC Megger)
Mounting		35mm DIN-Rail / Panel

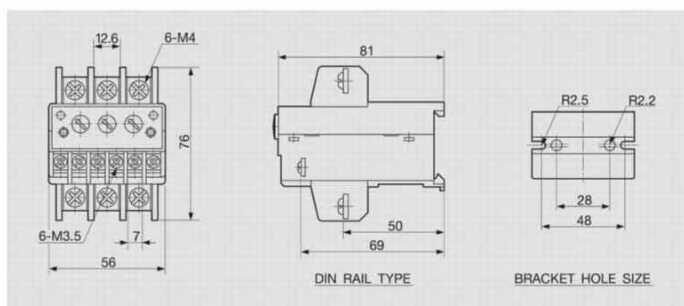
Dimension



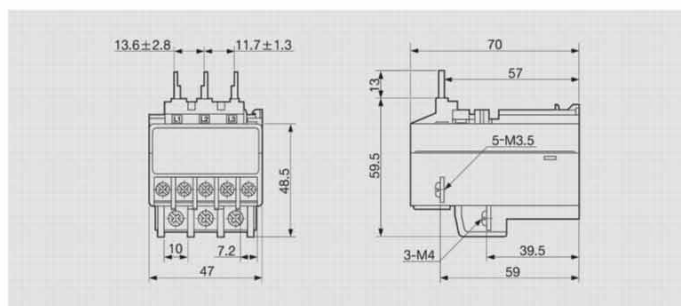
EOCR-SS / AR / EUCR



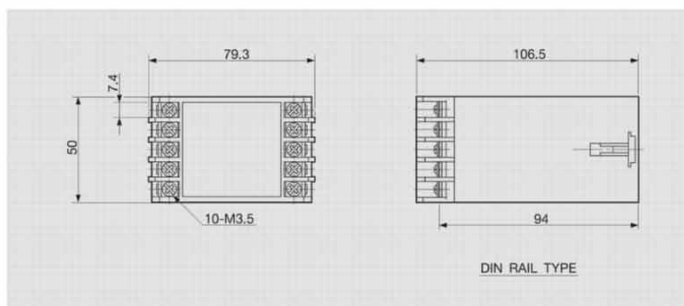
EOCR-DS / DS1 / DS3



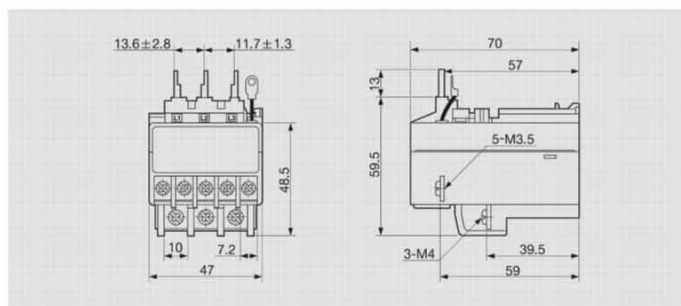
EOCR-DST / DS1T / DS3T



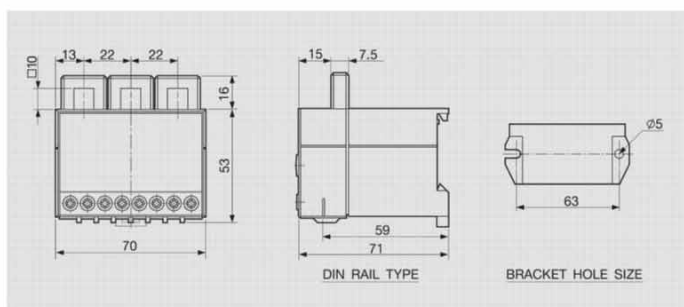
EOCR-SP / SP2-01 / 10Type



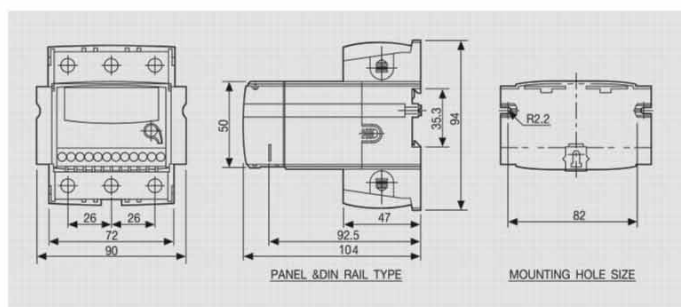
PMR / EVR / EVR-PD



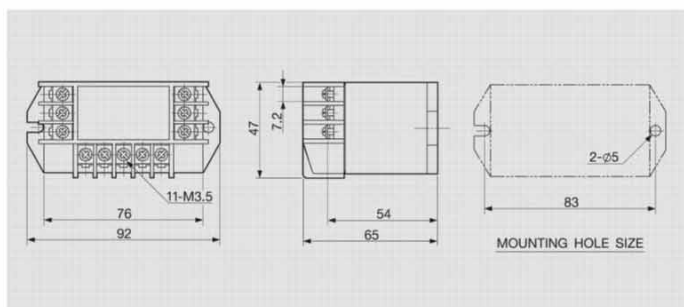
EOCR-SP / SP2-20Type



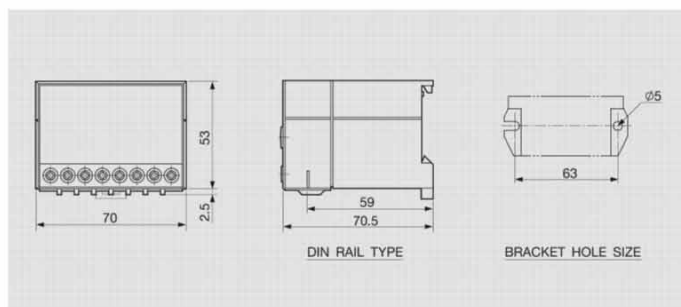
EOCR-3DE / 3EZ / 3E420 / EUCR-3C



EOCR-PMZ

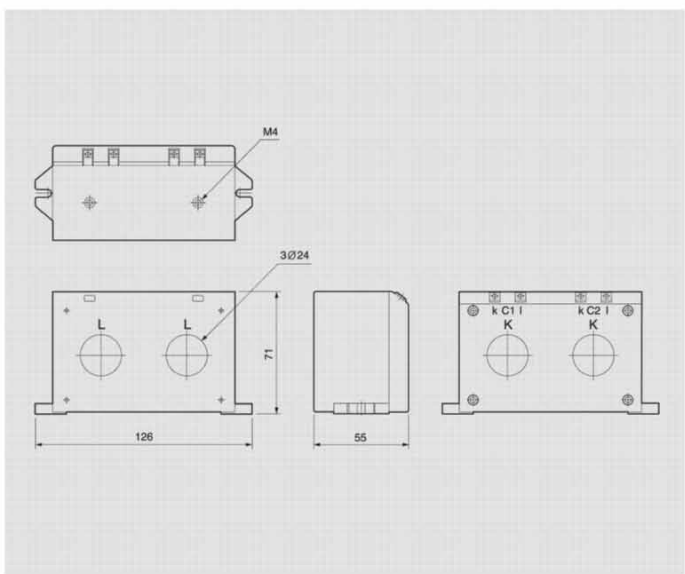


DCL / DCUR / DOVR / DUVR

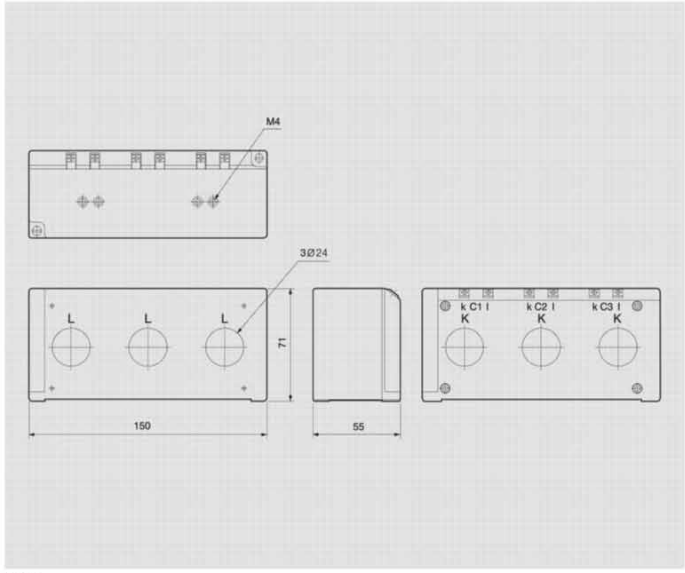


EOCR-S,H / DVR / EGR

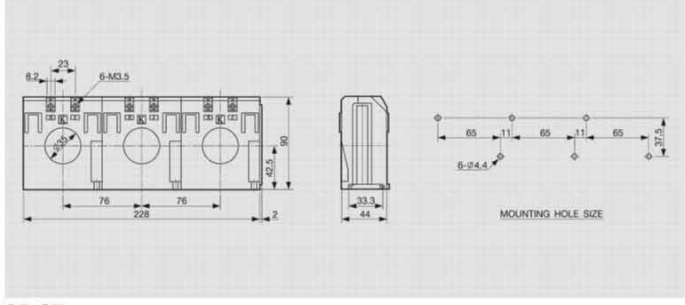
Dimension



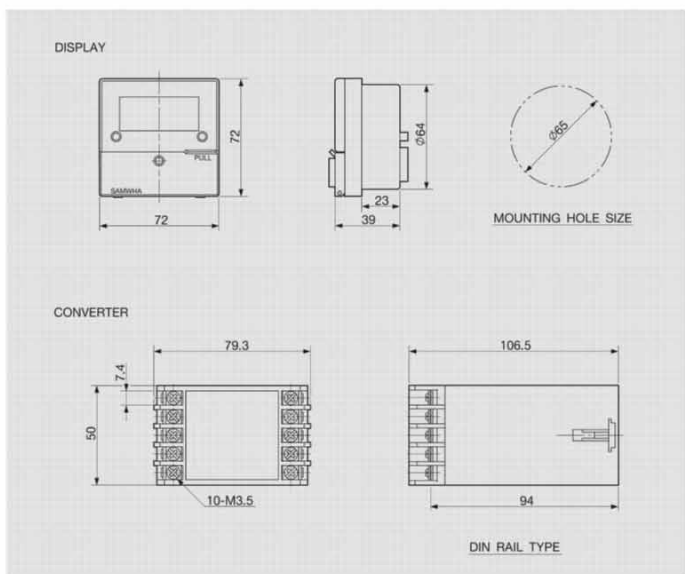
2CT



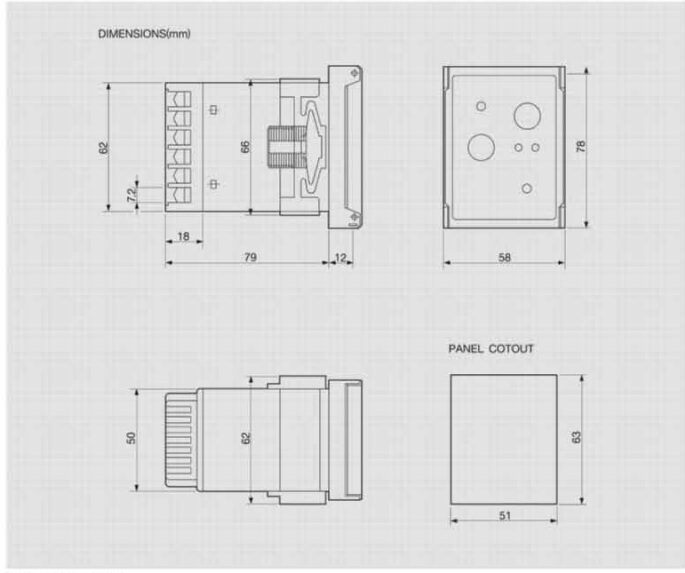
3CT



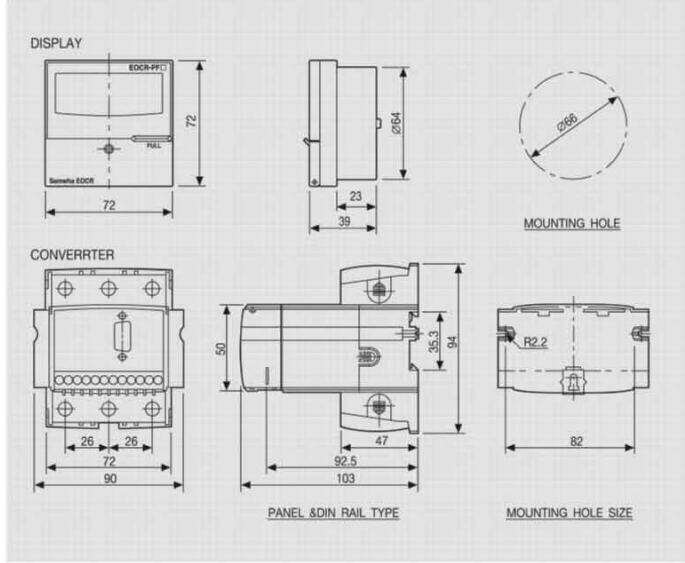
SR-CT



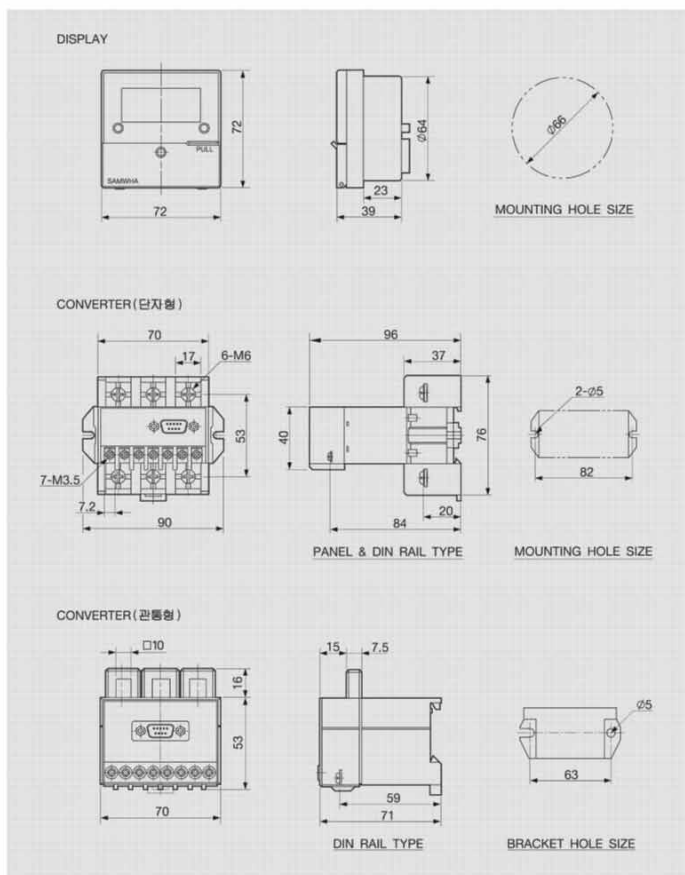
EVR-FD



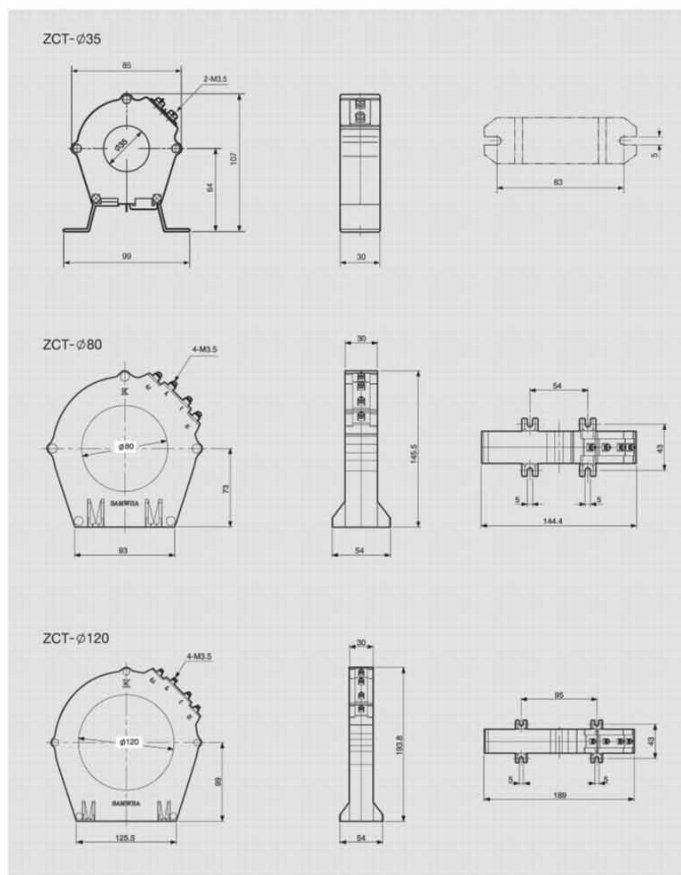
ELR / EFR2.5



EOCR-PFZ



EOCR-FDE / FEZ / FE420



ZCT